



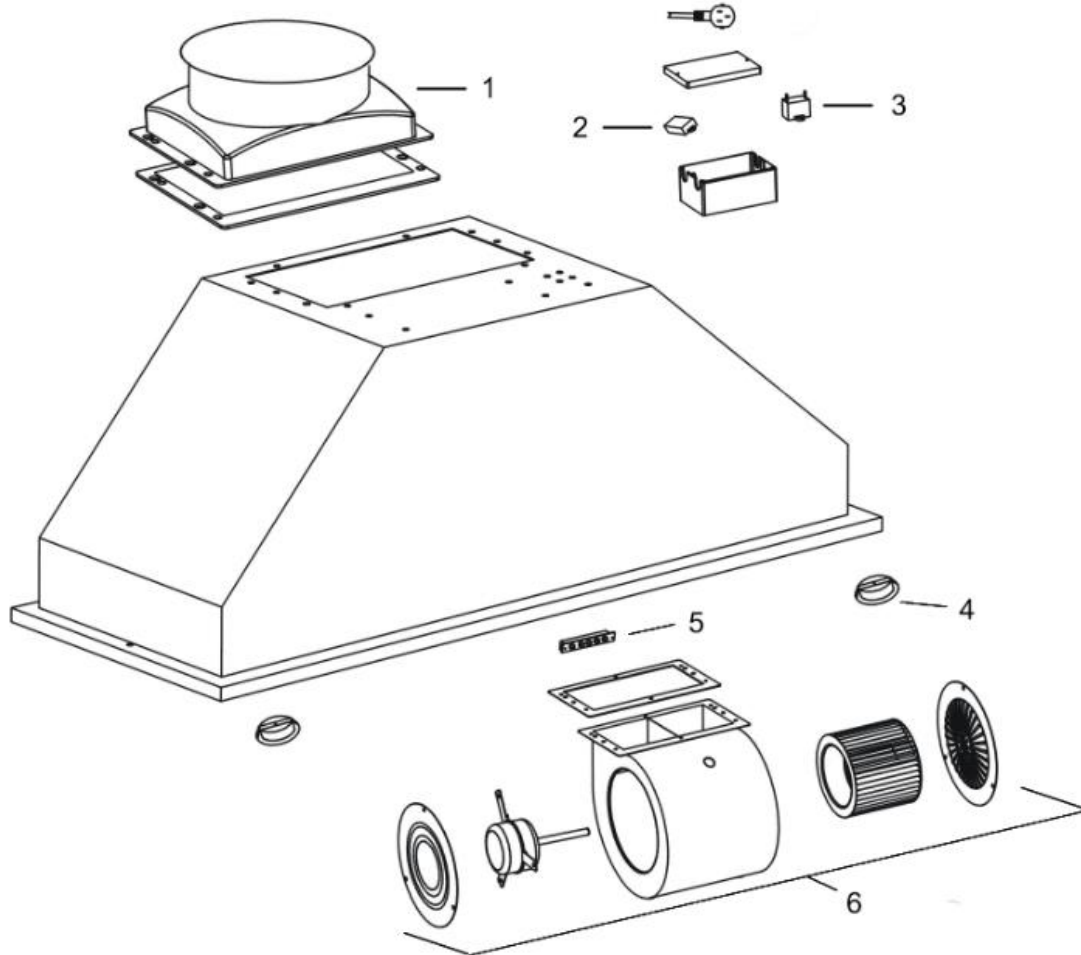
# PART LIST

**MODEL NO.:** INX2930SQBF-500-1 (30")  
 INX2936SQBF-500-1 (36")

NO.	DESCRIPTION	MODEL / SIZE	PART NO.
1	6" Exhaust Vent		02-003
2	LED Light Driver		02-001
3	Capacitor (12uF, 250 VAC)		02-004
4	LED Lights (3W) x 2		02-005
5	Control Switch		02-006
6	Blower System		YYC-148-3
7	Aluminum Filter (290.5mm x 168mm)	INX2930SQBF-500-1	02-010-30
	Aluminum Filter (233mm x 168mm)	INX2936SQBF-500-1	02-010-36
8	Baffle Filter (290.5mm x 168 mm)	INX2930SQBF-500-1	02-011-30
	Baffle Filter (233mm x 168mm)	INX2936SQBF-500-1	02-011-36

# PART DIAGRAM

**MODEL NO.:** INX2930SQBF-500-1 (30")  
 INX2936SQBF-500-1 (36")



INX2930SQBF-500-1 (30")	INX2936SQBF-500-1 (36")
