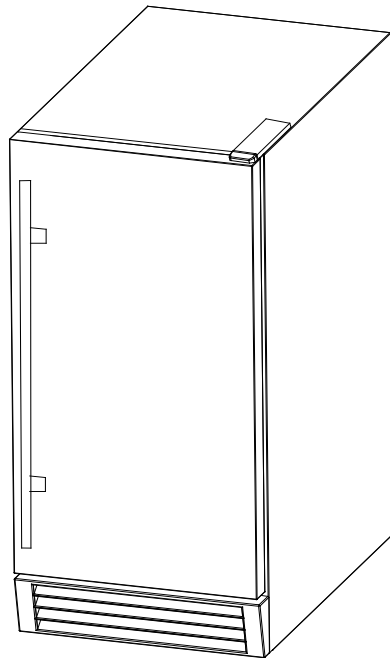




Model / Modelo / Modelé:	RIM49U3S-IS
ICE MAKER MAQUINA DE HACER HIELO MACHINE A GLAÇONS	INSTRUCTION MANUAL MANUAL DE INSTRUCCIONES MANUEL D'INSTRUCTIONS



BEFORE USE, PLEASE READ AND FOLLOW ALL SAFETY RULES AND OPERATING INSTRUCTIONS.

Avanti has a policy of continuous improvement on its products and reserves the right to change materials and specifications without notice.

**Avanti Products LLC
P.O. Box 520604
Miami, FL 33152
www.avantiproducts.com**

TABLE OF CONTENTS

Appliance Safety	3
Important Safeguides	4
Electrical Connection	5
Help Us Help You	6
Parts and Features	7
Important Safety Instructions	8
Installation Instructions	8
Before Using Your Appliance	8
Installation of Your Appliance	9 -13
Operating Your Appliance	14 – 16
How Your Appliance Makes Ice	17
Care and Maintenance	18 – 21
Troubleshooting Guide	22 – 23
Service for Your Appliance	24
Wiring Diagram	24
Your Avanti Products Warranty	25
Instrucciones en Español	26 – 45
Instructions en Français	46 - 69
Registration Information and Registration Card	Last page

APPLIANCE SAFETY

Your safety and the safety of others are very important.

We have provided many important safety messages in this manual and on your appliance. Always read and obey all safety messages.



This is the Safety Alert Symbol. This symbol alerts you to potential hazards that can kill or injure you and others.

All safety messages will follow the Safety Alert Symbol and either the words "DANGER", "WARNING" or "CAUTION".



Danger means that failure to heed this safety statement may result in severe personal injury or death.



Warning means that failure to heed this safety statement may result in extensive product damage, serious personal injury, or death.



Caution means that failure to heed this safety statement may result in minor or moderate personal injury, or property or equipment damage.

All safety messages will alert you to what the potential hazard is, tell you how to reduce the chance of injury, and let you know what can happen if the instructions are not followed.



PROP. 65 WARNING FOR CALIFORNIA RESIDENTS

WARNING:

Cancer And Reproductive Harm

www.p65warnings.ca.gov

IMPORTANT SAFEGUARDS



Before the beverage cooler is used, it must be properly positioned and installed as described in this manual, so read the manual carefully. To reduce the risk of fire, electrical shock or injury when using the beverage cooler, follow basic precautions, including the following:

⚠ DANGER ⚠

- Plug into a grounded 3-prong outlet, do not remove grounding prong, do not use an adapter, and do not use an extension cord
- Replace all panels before operating
- It is recommended that a separate circuit, serving only your beverage cooler, be provided. Use receptacles that cannot be turned off by a switch or pull chain
- Never clean appliance parts with flammable fluids. These fumes can create a fire hazard or explosion. And do not store or use gasoline or other flammable vapors and liquids in the vicinity of this or any other appliance. The fumes can create a fire hazard or explosion.
- Before proceeding with cleaning and maintenance operations, make sure the power line of the unit is disconnected.
- Do not connect or disconnect the electric plug when your hands are wet
- Unplug the appliance or disconnect the power before cleaning or servicing. Failure to do so can result in electrical shock or death.
- Do not attempt to repair or replace any part of your appliance unless it is specifically recommended in this material. All other servicing should be referred to a qualified technician.

⚠ WARNING ⚠

- Use two or more people to move and install the appliance. Failure to do so can result in back or other injury.
- To ensure proper ventilation for your appliance, the unit must be completely unobstructed. Choose a well-ventilated area with temperatures above 55°F (13°C) and below 90°F (32 °C). This unit must be installed in an area protected from the elements, such as wind, rain, water spray or sunlight.
- The appliance should not be located next to ovens, grills or other sources of high heat.
- The appliance must be installed with all electrical, water and drain connections in accordance with state and local codes. A standard electrical supply (115 V AC only, 60 Hz), properly grounded in accordance with the National Electrical Code and local codes and ordinances is required.
- Do not kink or pinch the power supply cord of the appliance.
- The fuse (or circuit breaker) size should be 15 amperes.
- It is important for the appliance to be leveled in order to work properly. You may need to make several adjustments to level it.
- All installation must be in accordance with local plumbing code requirements.
- Make certain that the pipes are not pinched or kinked or damaged during installation.
- Check for leaks after connection.
- Never allow children to operate, play with or crawl inside the appliance
- Do not use solvent-based cleaning agents or abrasives on the interior. These cleaners may damage or discolor the interior.
- Do not use this apparatus for other than its intended purpose.

Electrical Connection

~ Warning ~

Improper use of the grounded plug can result in the risk of electrical shock. If the power cord is damaged, have it replaced by an authorized Avanti Products service center.

This appliance should be properly grounded for your safety. The power cord of this appliance is equipped with a three-prong plug which mates with standard three prong wall outlets to minimize the possibility of electrical shock.

Do not under any circumstances cut or remove the third ground prong from the power cord supplied.

This appliance requires a standard 115Volts~/60Hz electrical outlet with three-prong ground.

The cord should be secured behind the appliance and not left exposed or dangling to prevent accidental injury.

Never unplug the appliance by pulling the power cord. Always grip the plug firmly and pull straight out from the receptacle.

Do not use an extension cord with this appliance. If the power cord is too short, have a qualified electrician or service technician install an outlet near the appliance.

Ø EXTENSION CORD

Because of potential safety hazards under certain conditions, it is strongly recommended that you do not use an extension cord with this unit. However, if you must use an extension cord it is absolutely necessary that it be a UL/CUL-Listed, 3-wire grounding type appliance extension cord having a grounding type plug and outlet and that the electrical rating of the cord be 115 volts and at least 10 amperes.

Ø SURGE PROTECTOR

Most electrical appliances use a series of electric control boards to operate. These boards are very susceptible to power surges and could be damaged or destroyed.

If the appliance is going to be used in an area or if your city / country is prone to power surges / outages; it is suggested that you use a power surge protector for all electrical devices / appliances you use. The surge protector that you select must have a surge block high enough to protect the appliance it is connected to. If you have any questions regarding the type and size of surge protector needed contact a licensed electrician in your area.

Damages due to power surges are not considered a manufacturer covered defect and will void your product warranty.

HELP US HELP YOU...

Read this guide carefully.

It is intended to help you operate and maintain your new appliance properly.

Keep it handy to answer your questions. If you don't understand something or you need more help, please call:

**Avanti Customer Service
800-220-5570**

Keep proof of original purchase date (such as your sales slip) with this guide to establish the warranty period.

CAUTION:

**THIS APPLIANCE IS NOT
DESIGNED FOR THE STORAGE
OF MEDICINE OR OTHER
MEDICAL PRODUCTS.**

Write down the model and serial numbers.

You'll find them on a plate located on the rear outside wall of the appliance.

Please write these numbers here:

Date of Purchase

Model Number

Serial Number

Use these numbers in any correspondence or service calls concerning your appliance.

If you received a damaged appliance, immediately contact the dealer (or builder) that sold you the appliance.

Save time and money. Before you call for service, check the Troubleshooting Guide. It lists causes of minor operating problems that you can correct yourself.

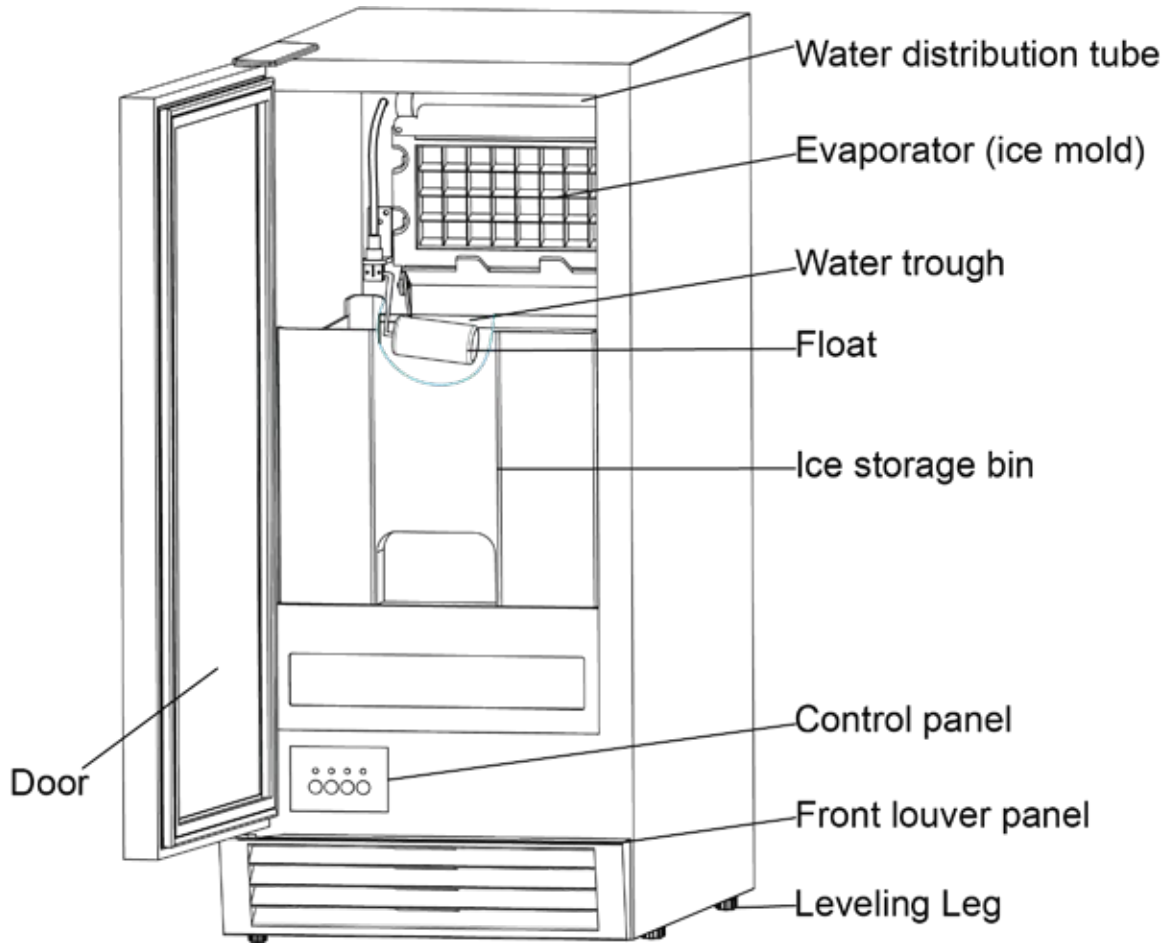
IF YOU NEED SERVICE

We're proud of our service and want you to be pleased. If for some reason you are not happy with the service you receive, here are some steps to follow for further assistance. **FIRST**, contact the people who serviced your appliance. Explain why you are not pleased. In most cases, this will solve the problem.

NEXT, if you are still not pleased, write all the details, including your telephone number, and send it to:

**Customer Service
Avanti Products
10880 NW 30 Street
Miami, FL 33172 USA**

PARTS AND FEATURES



IMPORTANT SAFETY INSTRUCTIONS

~ WARNING ~

To reduce the risk of fire, electrical shock, or injury when using your icemaker, follow these basic precautions:

This Unit Is For Indoor Use Only - SAVE THESE INSTRUCTIONS -

- Read all instructions before using the icemaker.
- **DANGER or WARNING:** Risk of child entrapment. Child entrapment and suffocation are not problems of the past. Junked or abandoned icemakers are still dangerous . . . even if they will “just sit in the garage a few days”.
- **Before you throw away your old icemaker:** take off the doors. Leave the shelves in place so that children may not easily climb inside.
- Never allow children to operate, play with, or crawl inside the icemaker.
- Never clean icemaker parts with flammable fluids. The fumes can create a fire hazard or explosion.
- Do not store or use gasoline or any other flammable vapors and liquids in the vicinity of this or any other icemaker. The fumes can create a fire hazard or explosion.

INSTALLATION INSTRUCTIONS

Before Using Your Icemaker

- Remove the exterior and interior packing.
- Check to be sure you have all of the following parts:
 - 1 Ice Scoop
 - 1 Water Supply Hose
 - 1 Water Drain Hose
 - Instruction Manual
- Before connecting the unit to the power source, let it stand upright for approximately 2 hours. This will reduce the possibility of a malfunction in the cooling system from handling during transportation.
- Clean the interior surface with lukewarm water using a soft cloth.

WARNING

EXCESSIVE WEIGHT HAZARD

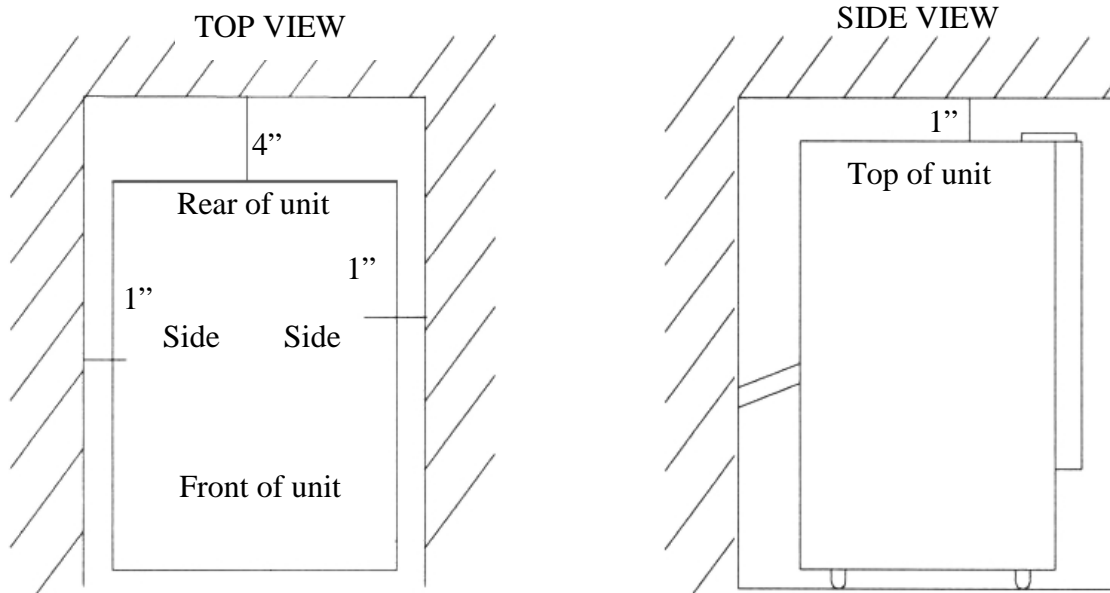
USE TWO OR MORE PEOPLE TO MOVE AND INSTALL THE ICEMAKER

FAILURE TO DO SO CAN RESULT IN BACK OR OTHER INJURY

INSTALLATION OF YOUR ICEMAKER

- **THIS ICEMAKER SHOULD BE PROPERLY INSTALLED BY A QUALIFIED PROFESSIONAL. This icemaker MUST be installed with electrical and water connections in accordance with all state and local codes.**
- **Allow a minimum of 1 inch of space between the top and sides of the icemaker and a minimum of 4 inches at the back, which allows the proper air circulation to cool the compressor. Ensure the front of the unit is completely unobstructed.**
- Place your icemaker on a floor that is strong enough to support the icemaker when it is fully loaded. To level your icemaker, adjust the legs at the front of the icemaker.
- Locate the icemaker away from direct sunlight and sources of heat (stove, heater, radiator, etc.). Direct sunlight may affect the acrylic coating and heat sources may increase electrical consumption. Extreme cold ambient temperatures may also cause the icemaker not to perform properly.
- Choose a well ventilated area with temperatures above 50°F (10°C) and below 100°F (38°C). This unit **MUST** be installed in an area protected from the elements.
- Avoid locating the icemaker in moist areas. Too much moisture in the air will cause frost to form quickly on the evaporator requiring more frequent defrosting of the icemaker.

INSTALLATION CLEARANCES:



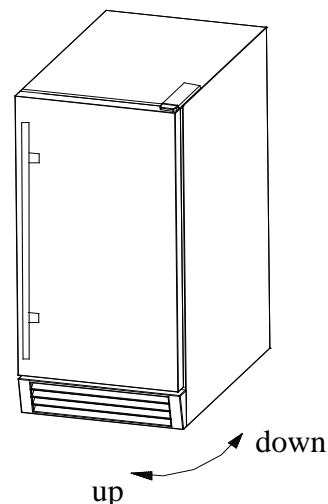
- The installation of this icemaker requires a cold water supply inlet of ¼" (6.35mm) soft copper tubing with a shut off valve.
- The icemaker requires a continuous water supply with a minimum pressure of 15 psig and a static pressure not to exceed 80 psig. The temperature of the water supply into the icemaker should be between 41°F (5°C) and 90°F (32°C) for proper operation.
- It is strongly recommended that a water filter be used. A filter, if it is of the proper type, can remove taste and odors as well as particles. Some water is very hard, and softened water may result in white, mushy cubes that stick together. De-Ionized water is NOT recommended.

Warning

Operation of the icemaker for extended periods outside of the normal temperature ranges as described above may affect product performance.

Leveling the ice maker

It is important for the icemaker to be leveled in order to work properly. It can be raised or lowered by rotating the plastic sheaths around each of the four feet on the bottom of the machine. If you find that the surface is not level, rotate the feet until the ice maker becomes level. You may need to make several adjustments to level it. We recommend using a carpenter's level to check the machine.



1. Place a carpenter's level on top of the product to see if the ice maker is level from front to back and side to side.
2. Adjust the height of the feet as follows:
 - Turn the leveling feet to the right to lower that side of the ice maker.
 - Turn the leveling feet to the left to raise that side of the ice maker.

IMPORTANT: Once you are ready to install it in a cabinet or directly on the floor, you must adjust the feet to level the ice maker. If the floor is level, just revolve the two front feet to touch the floor.

Reversing the door swing

Tools needed: Flat head screwdriver, Phillips screwdriver

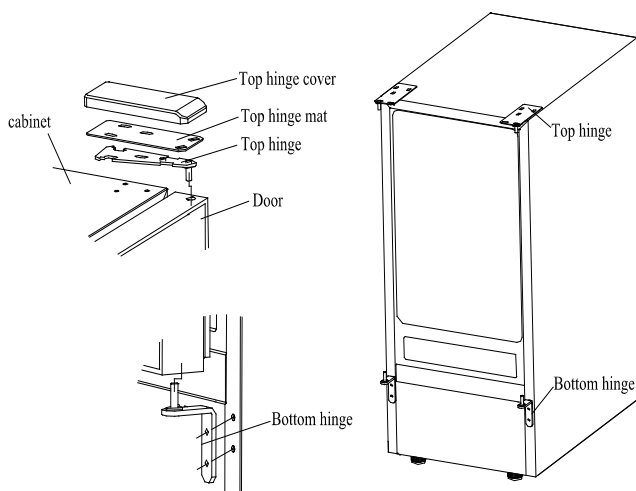
IMPORTANT: Before you begin, unplug the ice maker or disconnect power.

To remove door from hinges:

1. Remove top hinge cover by pushing it toward the back of the unit, then lifting it off.
2. Using a Phillips screwdriver, remove the screws, then remove the top hinge mat and top hinge. Keep the parts together and set them aside.
3. Lift the door off of the bottom hinge and set the door aside.

To replace door on hinges:

1. Using a flathead screwdriver, remove the plug buttons from the screw holes opposite the door hinges, top and bottom. Set aside.
2. Remove the front louver. Set aside.
3. Remove the bottom hinge and place it on the opposite side at the bottom of the door.
4. Position the door on the bottom hinge.
5. Align the door on the bottom hinge and replace the top hinge and top hinge mat.
6. Replace top hinge cover by pressing it down over the hinge mat and then pushing it forward.
7. Push the plug buttons into the original screw holes.



Water Supply

The water supply should be ready at the point of installation. The water supply pressure should be a minimum of 15 psig with a static pressure not more than 80 psig. (A wall outlet directly behind the ice machine will make installation easier.)

IMPORTANT:

1. All installations must be in accordance with local plumbing code requirements. Professional installation is recommended.
2. Make certain the hoses are not pinched or kinked or damaged during installation.
3. Check for leaks after connection.

Tools required: ½-in. open-end wrench, Phillips screwdriver

Connecting the water line:

1. Turn off main water supply. Turn on the nearest faucet long enough to clear line of water.
2. Find a ½-in. to ¾-in. vertical cold water pipe near the installation location. The distance should be less than 6 feet. The water supply hose provided with the ice maker is approximately 6 feet long.
3. A shut-off valve must be installed to the main water supply. If the water pipe has a plain piece of copper tubing, attach a ¼" O.D. compression union to the tubing and install the valve.
4. Connect the nut of the water supply hose to the tap, and connect the other end with the water inlet. Tighten firmly by hand, then one-half turn with wrench.
5. Turn on main water supply and tap. Check for water supply connection leaks. Tighten every connection (including connection at the water inlet).

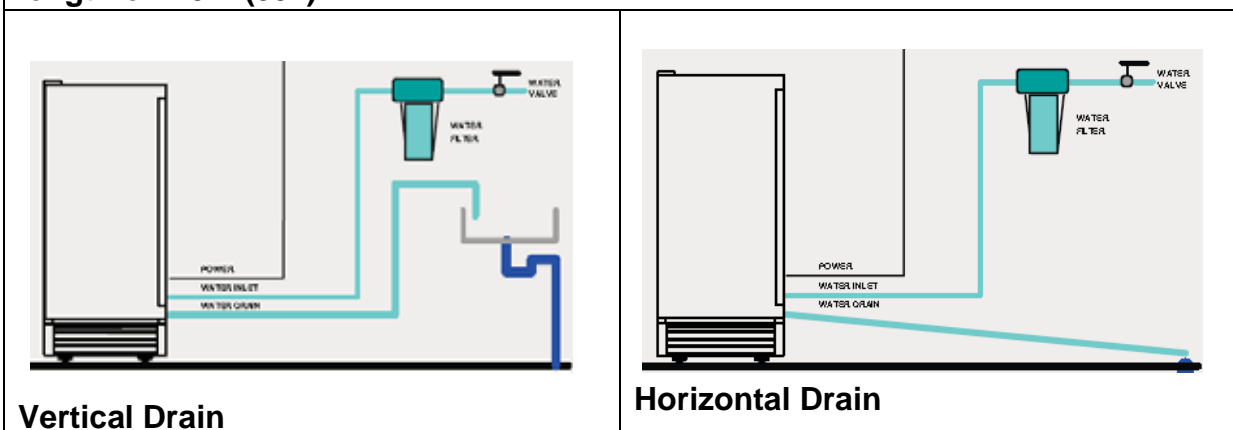
IMPORTANT: When you connect the water supply hose and the drain hose, pay attention to the indications of "Water inlet" and "Drain outlet" on the machine.

Drain

You must connect the drain line before using the ice maker. Follow the steps outlined below.

There are two types of ice machine modes, one that drains by gravity and one that has an internal drain pump.

This unit can pump out water up to a rise of 1.5m (59") or over a horizontal length of 1.5m (59").



Connecting the drain line:

NOTE: If there is a drain line near the ice maker, the best choice is to drain water to the drain line through the drain water hose provided with ice maker.

1. Locate the floor drain near the ice maker. The distance should be less than 5 feet since the length of the long drain water hose provided with the ice maker is about 5 feet.
2. Find the drain outlet on the back of ice maker. Connect the drain outlet to the water draining hose, and insert the other end of the hose into the drain line.

NOTE: Never allow the drain hose to hang or loop higher than the floor of the ice storage bin.

3. All horizontal runs of drain lines must have a fall of ¼" per foot. An air gap will likely be required between the ice maker drain tube and the drain/waste receptacle. A standpipe with a trap below it would be acceptable for the drain/waste receptacle. A floor drain is also acceptable. If this is not possible, the use of a condensate pump is recommended.
4. Pour 1 gallon of water into the ice storage bin to check for leaks in the drainage system. Tighten any connections that leak.

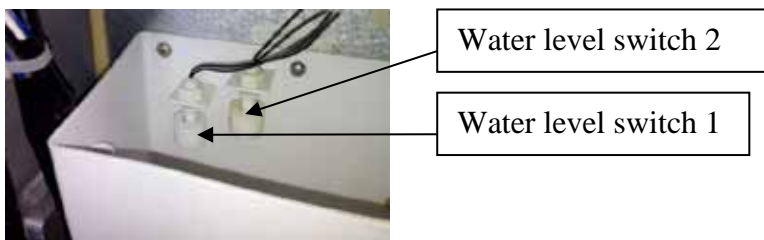
IMPORTANT: This ice maker is not a freezer. Infrequent drainage will cause a high rate of melting in the ice storage bin. How the drain system operates when water is pumped out

The components of the Pump-Out Water Drain System are

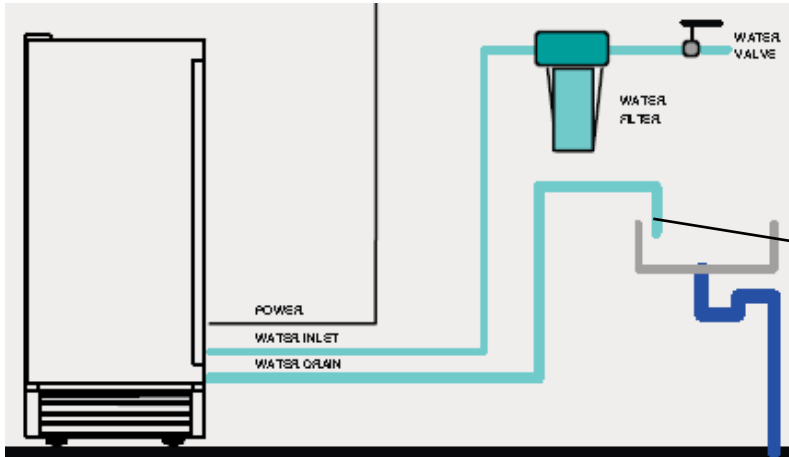
- Water reservoir PC Board & Water level switch 1, 2
- Water Drain Pump

OPERATION

- All water coming from the overflow and the melted ice is collected in the water reservoir.
- As soon as the water in the reservoir reaches the maximum level, the water level switch 1 closes, transmitting a low voltage current to the PC Board.

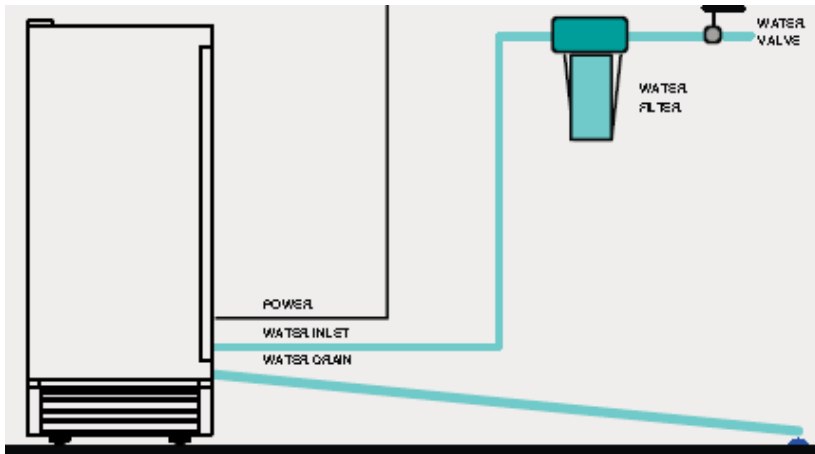


- The PC board activates the water drain pump for 20 seconds, pumping out most of the water contained in the water reservoir.
- The water can be pumped out up a rise of to 1.5m (59") or



NOTE:
The outlet of the drain hose must be raised higher than the water surface to prevent the drained water from flowing back into the water reservoir.

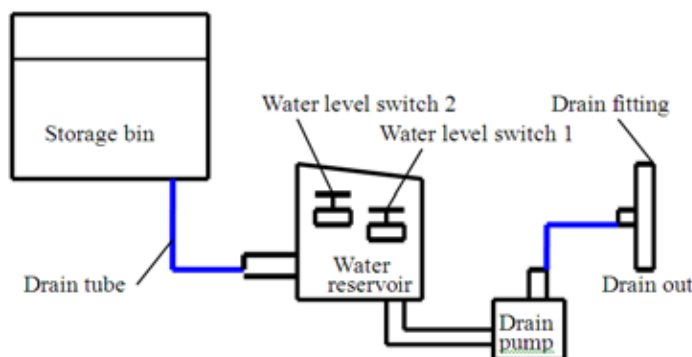
over a on horizontal length of 1.5m (59").



WARNING!
If alarm buzzer sounds, turn off the ice maker and the water supply, remove all ice from storage bin, and wipe up any water that may have overflowed. Check if there is any water in water trough at back of unit; if no water, drainage pump may not be receiving the proper amount of power. Check power source. If the problem can be corrected, turn on the unit again. Also check that none of the water lines are kinked. If the problem remains, contact Customer Service.

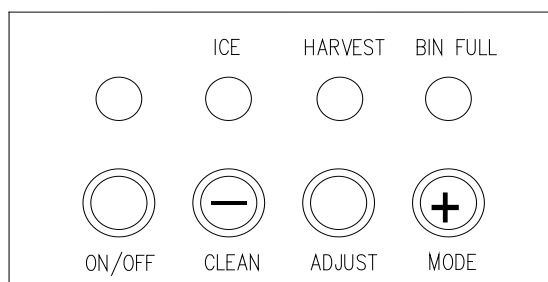
- If water level switch 2 closes, transmitting a low-voltage current to the PC board, the PC board activates the buzzer alarm, informing you that the drain pump, water level switch or drain tube may be malfunctioning.

Schematic Diagram



OPERATING YOUR ICEMAKER

CONTROL PANEL



Control Panel: Description of buttons and indicator lights:

Indicator Lights:

1. BIN FULL (RED): Bin is full

When this light is illuminated, the ice storage bin is full of ice or there is something blocking the bin full sensor. The unit will stop the ice making process until the level of ice has reduced or the object blocking the sensor is removed.

When ice-cubes are removed and the bin full sensor is cleared; the bin-full indicator light will blink for 3 minutes, then the unit will restart and return to the ice-making process.

2. ICE (Green): Ice making process.

When this light is illuminated, the unit is working in the ice-making process which is controlled by a temperature sensor on the evaporator. When the indicator light flashes green, the unit is working to produce ice and is based on a fixed timer.

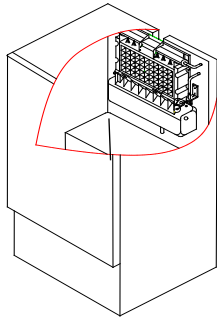
3. HARVEST (Yellow): Ice Harvest process.

When this light is illuminated, the unit is in the process of harvesting the ice that was produced. The machine will continue to make and harvest ice until the bin-full sensor notes that the bin is full or until the unit is turned off or the system mode is changed by touching the "MODE" button.

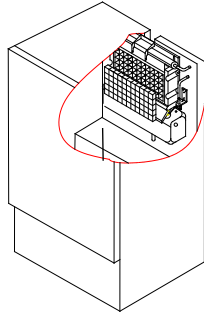
4. Mode button: This button is used primarily for the quick start of the Ice making process or for service / repair issues. You can "quick start" the system by pressing the "MODE" button when first plugged in, power has been lost or if the unit has been turned off for a period of time.

5. Adjust button: This button is used primarily for service and or to select the size of the ice-cubes. To select the ice cubes, press and hold the button for approximately 3 seconds, the "HARVEST" (Yellow) indicator light will illuminate and the system will enter the Ice Size Selection mode. Release the button once the Harvest light (yellow) blinks and simply press the (+) or (-) to select larger or smaller cubes, the unit is shipped from the factory set to the normal sized cubes.

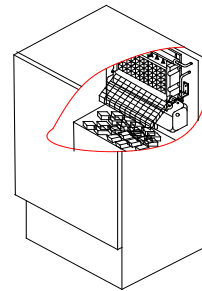
OPERATING YOUR ICE-MAKER



Ice making stage



Ice harvest stage



Bin full stage

1. Turn on the water tap.
2. Press the ON/OFF button.
3. After 3 minutes, the machine will automatically go to the ice-making stage, and the sound of water flowing will be heard. (The ICE indicator light (GREEN) will blink during this process.)
4. Press the MODE button to quick start the Ice-Making process and allow the water trough to begin to fill automatically. (The ICE indicator light (GREEN) will blink during this process.)
5. When the batch of ice has been fully formed, the ice will automatically be harvested and drop to the ice storage bin. (The HARVEST indicator light (YELLOW) will blink during this process.)
6. When the ice storage bin is full, the sheet of cubes will not fall completely and will hold the bin-full sensor open. The machine will stop making ice automatically. (The BIN-Full indicator light (RED) will blink to indicate the bin is full or the sensor is being blocked.)
7. The unit will start making ice again after ice cubes are removed or when the bin-full sensor swings back to operating position. (The BIN-Full indicator light (RED) will continue to blink for approximately 3 minutes, then the system will automatically begin the ice-making process again.)

IMPORTANT:

- *Although the unit has been tested and cleaned at the factory, due to long-term transit and storage, the first batch of cubes must be discarded.*
- *Never turn the water supply tap off when the ice maker is working.*
- *Never touch the evaporator when unit is running!*
- *To prevent ice from melting and to ensure proper ice formation, keep the door closed except when removing ice from the bin.*

Ice Size Adjustment Guide:

1. Press and hold the “**Adjust**” button for approximately 3 seconds. The unit will enter the Ice Size Adjustment mode. The “**HARVEST**” LED (yellow) will be blinking continuously while the ice size is being selected. Release the button when the LED blinks continuously to adjust the ice size.
2. While in the Ice Size Selection mode, press the “**Clean**” (-) button or the “**Mode**” (+) button for the desired ice size.

Smaller ice setting:

By pressing the “Clean” (-) button, you can select the SMALL size of the ice cubes. The “ICE” LED (GREEN) will flash as you select the smaller ice size.

Larger ice setting:

By pressing the “Mode” (+) button, you can select the large size of the ice cubes. The “BIN FULL” LED (RED) will flash as you select the larger ice size.

After 10 seconds without any operation, the unit will return to the previous mode.

NOTE:

- If during the ice size adjustment mode the “BIN FULL”, “ICE” and “HARVEST” LEDs blink all at once; this indicates that the unit is in the regular (middle) setting of the ice size.
- When the machine is in the cleaning stage or ice full stage, the ice size adjustment mode cannot be accessed

HOW THE ICE MAKER PRODUCES ICE

***Set the ON/OFF button to the ON position.
The machine will automatically go in to the ice making stage.***

The unit will go through two distinct cycles during the production of your ice. The first cycle is the “freeze” where the ice is actually produced and the second is the “harvest” where the ice is dropped into the ice-bin.

The freeze cycle happens when water flows to the evaporator surface. The harvest cycle is when the ice is released and water enters the machine. A complete cycle takes about 20 minutes, but it depends on temperature and operating conditions.

Freeze: During the freeze cycle the compressor is pumping refrigerant, the fan motor is blowing air, and the water pump is circulating water. When the batch of ice has been fully formed, the ice maker stops the freeze cycle and the harvest cycle will begin.

Harvest: During the harvest cycle the compressor is still operating, but the water pump has stopped. The hot gas valve opens, diverting hot refrigerant gas into the evaporator. The hot refrigerant gas warms the evaporator, causing the cubes to slide as a unit off the evaporator and into the storage bin. The freeze cycle will restart when all the cubes have been harvested.

How the machine uses the water

The ice maker begins with a fixed charge of water which is contained in the water trough. As the water flows to the freezing evaporator surface, the portion of water that does not contain mineral impurities freezes and sticks to the ice cube molds. The water containing impurities falls back into the water trough. During the ice making process, fresh water enters into the water trough continuously as the water in the trough freezes continuously in the evaporator.

Normal sounds

Your new ice maker may make sounds that are not familiar to you. Most of the new sounds are normal. Hard surfaces like the floor and walls can make the sounds louder than they actually are. The following list describes the sounds that might be new to you and what may be causing them.

- Rattling noises may come from the flow of the refrigerant or the water line. Items stored on top of the ice maker can also make noises due to vibration.
- The high efficiency compressor may make a pulsating or high-pitched sound.
- Running water may make a splashing sound.
- You may hear air being forced over the condenser by the condenser fan.
- During the harvest cycle, you may hear the sound of ice cubes falling into the ice storage bin.

CARE AND MAINTENANCE

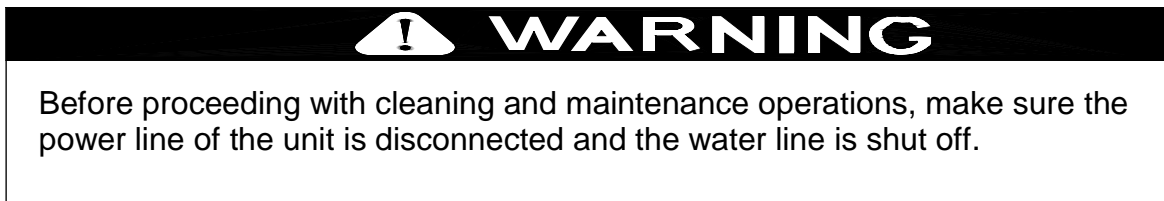
Cleaning The Icemaker



Periodic cleaning and proper maintenance will ensure efficiency, top performance, and long life. The maintenance intervals listed are based on normal conditions. You may want to shorten the intervals if you have pets, or there are other special considerations.

Important Note:

Never keep anything in the ice storage bin that is not ice: objects like wine and beer bottles are not only unsanitary, but the labels may slip off and plug up the drain.



Cleaning the exterior

The door and cabinet may be cleaned with a mild detergent and warm water solution such as 1 oz. of dishwashing liquid mixed with 2 gallons of warm water. Do not use solvent-based or abrasive cleaners. Use a soft sponge and rinse with clean water. Wipe with a soft clean towel to prevent water spotting.

If the door panel is stainless steel, it may discolor when exposed to chlorine gas and moisture. Clean stainless steel with a mild detergent and warm water solution and a damp cloth. Never use an abrasive cleaning agent.

Cleaning the interior

The ice storage bin should be sanitized occasionally. Clean the water trough before the ice maker is used first time and reused after stopping for an extended period of time. It is usually convenient to sanitize the trough after the ice making system has been cleaned, and the ice storage bin is empty.

1. Disconnect the power to the unit.
2. Open the door and take out the removable ice storage bin. With a clean cloth, wipe down the interior of unit and ice bin with a sanitizing solution made of 1 ounce of household bleach or chlorine and 2 gallons of hot (95°F – 115°F) water.
3. Pull off the drain hose of the water trough to drain off all water.
4. Rinse thoroughly with clear water.
5. After draining off all water, put back the drain hose of the water trough to the original location.
6. Put the ice storage bin inside the unit.
7. Reconnect power to the unit.

Right location of the drain hose

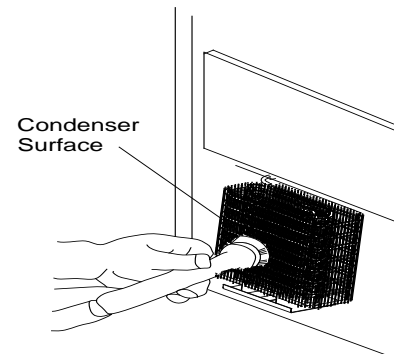


The ice scoop should be washed regularly. Wash it just like any other food container.

Condenser cleaning

A dirty or clogged condenser prevents proper airflow, reduces ice making capacity, and causes higher than recommended operating temperatures that may lead to component failure. Have the condenser cleaned at least once every six months.

1. Unplug the ice maker or disconnect power.
2. Gently pull off the lower front louver.
3. Remove dirt and lint from the condenser and the unit compartment with the brush attachment of a vacuum cleaner.
4. Reassemble the lower front louver.
5. Plug in the ice maker or reconnect power.



Cleaning the water distribution tube

When you find the ice cubes are incompletely formed or the output is low, the water distribution tube may be blocked. Turn off the power button, gently take out the water distribution tube, locate the holes in the distribution tube and use a pointed object such as a toothpick to dredge the holes. Then put the water distribution tube back to its original position. If the tube is badly blocked, clean it as follows:

1. Shut off the water supply
2. Disconnect the water hose from the distribution tube.
3. Gently take out the distribution tube.
4. With a brush, clean the tube with a dilute solution of warm water and a mild detergent such as dishwashing liquid. After removing the dirt and lint from the surface, rinse the tube with clean water.
5. Replace the distribution tube.
6. Reconnect the water supply.

Ice-making system cleaning (CLEAN BUTTON)

The ice machine cleaner contains acids.

DO NOT use or mix with any other solvent-based cleaner products.

Use rubber gloves to protect hands. Carefully read the material safety instructions on the container of the ice machine cleaner.

Discard the first batch of ice produced after cleaning.

Minerals that are removed from the water during the freezing cycle will eventually form a hard, scaly deposit in the water system. Cleaning the system regularly helps remove the mineral scale buildup. How often to clean the system depends upon how hard your water is or how effective your filtration may be. With hard water of 15 to 20 grains/gal. (4 to 5 grains/ liter), you may need to clean the system as often as once every 6 months.

1. Make sure that all the ice is off the evaporator. If ice is being formed, wait until the cycle is completed, then press the machine's ON/OFF button on the control panel.
2. Remove all ice from the storage bin.
3. Keep the ice maker connected to the water supply. Pour 8 oz. of Nickel-Safe Ice Maker Cleaner Solution into the water trough. Then press the ON/OFF button and the CLEAN button, initiating the wash cycle. The machine will run in the Automatic Clean Mode.
4. Allow 30 minutes for proper cleaning. After cleaning, press the ON/OFF button again. Use a drain hose on the front of the water trough to drain off the waste water to a convenient container.

NOTE: Don't drain off the waste water to the inside of the cabinet.

5. Repeat steps 3 and 4 (without Ice Maker Cleaning Solution) three times to rinse the ice making system thoroughly.
6. Prepare a sanitizing solution made of 1 ounce of household bleach and 2 gallons of hot water (95°F to 115°F). Wipe the entire bin inside and outside, covering the entire surface of the walls.
7. Fill a spray bottle with the sanitizing solution and spray all corners and edges, making sure to cover all surfaces with the solution.
8. Allow the solution to be in contact for at least 3 minutes, and then dry.
9. Repeat step 5 to rinse the ice making system one more time.
10. Press the ON/OFF button again. The machine will return to the regular ice making mode.
11. Discard the first batch of ice.

Power Failure

Most power failures are corrected within a few hours and should not affect the temperature of your icemaker if you minimize the number of times the door is opened. If the power is going to be off for a longer period of time, you need to take the proper steps to protect your food.

Vacation Time

Short vacations: Leave the unit operating during vacations of less than three weeks.

Long vacations: If the icemaker will not be used for several months, remove all of the ice and unplug the power cord. Clean and dry the interior thoroughly. To prevent odor and mold growth, leave the door open slightly: blocking it open if necessary

Moving Your Icemaker

- Remove all the food.
- Securely tape down all loose items inside your unit.
- Turn the leveling screws up to the base to avoid damage.
- Tape the doors shut.
- Be sure the unit stays in the upright position during transportation.

Preparing the ice maker for long term storage

If the ice maker will not be used for a long time, or is to be moved to another place, it will be necessary to drain the system of water.

1. Shut off the water supply at the main water source.
2. Disconnect the water supply line from the water inlet.
3. Shut off the electric supply at the main electrical power source.
4. Take out the ice storage bin to remove any remaining ice and water. Dry the bin.
5. Pull off the drainage tube of the water trough to drain off all water.
6. Leave the door open to allow for circulation and to prevent mold and mildew.
7. Leave water supply line and power cord disconnected until ready to reuse.

IMPORTANT:

- *Do not touch the power plug when your hands are wet.*
- *Never unplug the unit by pulling on the cord. Grasp the plug and pull out firmly.*

Energy Saving Tips

- The unit should be located in the coolest area of the room, away from heat producing appliances or heating ducts, and out of direct sunlight.

TROUBLESHOOTING

Before Calling for Service

If the unit appears to be malfunctioning, read through the *OPERATION* section of this manual first. If the problem persists, check the Troubleshooting Guide on the following pages. Some of the problems mentioned in the Guide can be solved easily without a service call.

Problem	Possible Cause	Probable Correction
The machine doesn't operate.	The ice maker is unplugged.	Plug the ice maker in.
	The fuse is blown.	Replace fuse. If it happens again, call for service to check for a short circuit in the unit.
	The ice maker power button is set at OFF.	Switch the ice maker power button to ON.
	The ice storage bin is full of ice.	Remove some ice cubes. Be sure the ice-full probe is free of ice.
The water doesn't feed in after the machine starts.	The water supply tap is turned off.	Turn on the water supply tap.
	The water supply pipe is not properly connected.	Reconnect the water supply pipe.
Machine makes ice, but bin does not fill up with ice.	The condenser may be dirty.	Clean the condenser.
	The air flow to the ice maker may be obstructed.	Check the installation.
	The ambient temperature and water temperature are high, or unit is near some heat source.	Check the installation.
Water is leaking out of the unit.	Some water falls to the floor when you open the door to remove ice from storage bin.	Normal condensation on the door or some water together with ice. Take care when you take out ice.
	Water supply connection is leaking.	Tighten fitting. See <i>Connecting the water line</i> .
	Drain pipe higher than drain outlet.	Lower drain pipe.
Cubes are partially formed or are white on the bottom.	Not enough water in the water trough.	Check if the water supply pressure is below 15 psig.
		Check water supply or filter may be restricted.
		Check for a water leak at the water trough.
Noise during operation	The feet are not leveled and locked.	Level and lock the feet. See <i>Leveling the Ice Maker</i> .
	Certain sounds are normal.	See <i>Normal Sounds</i> .

The ice maker stops suddenly while making ice.	The electricity is off.	Reconnect the power supply line.
	The room temperature is out of the stated range.	Cut off the electricity and leave the ice maker disconnected until the temperature returns to within the stated range.
	The ice storage bin is full of ice.	Remove some ice cubes; make sure the ice-full probe is free of ice.
The body of the ice maker is electrified	The ground line isn't in the socket.	Use a socket meeting the grounding requirements.
Scaling occurs frequently inside the machine.	The hardness level of the water is too high.	Install a water-softening device in front of the water inlet.
Water leaks from the ice storage bin	The drain hole below the ice storage bin is blocked.	Remove the ice storage bin and clean the drain hole.
	The drain hose is kinked or improperly placed higher than the floor of the ice storage bin.	Check the drain hose to be sure water can be drained out unhindered.

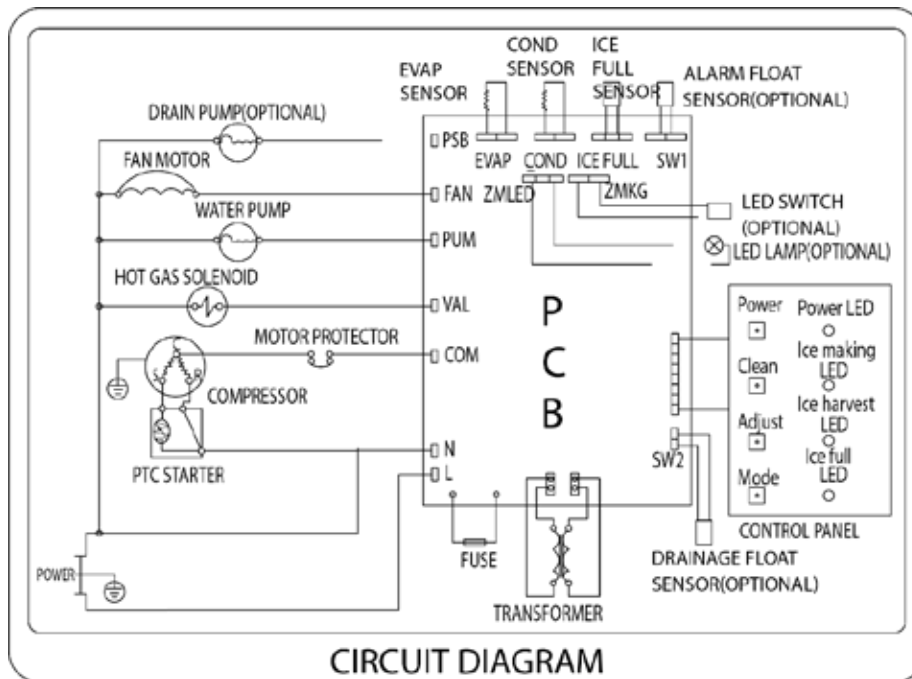
SERVICE FOR YOUR APPLIANCE

We are proud of our customer service organization and the network of professional service technicians that provide service on your Avanti appliances. With the purchase of your Avanti appliance, you can have the confidence that if you ever need additional information or assistance the Avanti Products Customer Service team will be here for you. Just call us toll-free.

AVANTI PRODUCTS CUSTOMER SERVICES

Product Information 800-323 5029	Whatever your questions are about our products, help is available.
Part Orders 800-220 5570	You may order parts and accessories that will be delivered directly to your home. You may order these items by personal check, money order, Master Card, or Visa.
In-Home Repair Service 800-220 5570	An Avanti Products authorized service center will provide expert repair service, scheduled at a time that is convenient for you. Our trained servicers know your appliance inside and out.

WIRING DIAGRAM



YOUR AVANTI PRODUCTS WARRANTY	Staple your sales receipt here. Proof of original purchase date is needed to obtain service under warranty.
--	--

WHAT IS COVERED – LIMITED ONE-YEAR WARRANTY

Avanti Products warrants that the product is free from defects in materials and/or workmanship for a period of twelve (12) months from the date of purchase by the original owner. The foregoing timeline begins to run upon the date of purchase, and shall not be stalled, tolled, extended, or suspended for any reason whatsoever unless described in detail in the warranty document. For one year from the date of purchase by the original owner, Avanti products will, at its option, repair or replace any part of the product which proves to be defective in material or workmanship under normal use. Avanti Products will provide you with a reasonably similar product that is either new or factory refurbished. During this period Avanti Products will provide all parts and labor necessary to correct such defects free of charge, so long as the product has been installed and operated in accordance with the written instructions in this manual. In rental or commercial use, the warranty period is 90 days. All Avanti appliances of 4.4 cubic feet capacity or less must be brought/sent to the appliance service center for repair.

LIMITED SECOND THROUGH FIFTH YEAR WARRANTY

For the second through the fifth year from the date of original purchase, Avanti Products will provide a replacement compressor free of charge due to a failure. You are responsible for the service labor and freight charges. In rental or commercial use, the limited compressor warranty is one year and nine months. Costs involved to move the product to the service center and back to the user's home, as maybe required, are the user's responsibility.

WARRANTY EXCLUSIONS / WHAT IS NOT COVERED:

The warranty coverage described herein excludes all defects or damage that are not the direct fault of Avanti Products, including without limitation, one or more of the following:

- A failure to comply with any applicable state, local, city, or county electrical, plumbing and/or building codes, regulations, or laws, including failure to install the product in strict conformity with local fire and building codes and regulations.
 - Any external, elemental and/or environmental forces and factors, including without limitation, rain, wind, sand, floods, fires, mud slides, freezing temperatures, excessive moisture or extended exposure to humidity, lightning, power surges, structural failures surrounding the appliance, and acts of God.
- | | |
|---|---|
| <ul style="list-style-type: none"> • Content losses of food or other content due to spoilage. • Incidental or consequential damages • Parts and labor costs for the following will not be considered as warranty: <ul style="list-style-type: none"> • Evaporator doors, door springs, and/or frames. • Inner door panels, door shelves, door rails, and/or door supports. • Light bulbs and/or plastic housing. • Plastic cabinet liners. • Punctured evaporator that voids the warranty on the complete sealed system. | <ul style="list-style-type: none"> • Shipping and handling costs associated with the replacement of the unit. • Repairs performed by unauthorized servicers. • Service calls that are related to external problems, such as abuse, misuse, inadequate electrical power, accidents, fire, floods, or any other acts of God. • Failure of the product if it is used for other than it intended purpose. • The warranty does not apply outside the Continental USA. • Surcharges including but not limited to, any after hour, weekend, or holiday service calls, tolls, ferry trip charges, or mileage expense for service calls to remote areas. |
|---|---|

In no event shall Avanti Products have any liability or responsibility whatsoever for damage to surrounding property, including cabinetry, floors, ceilings, and other structures and/or objects around the product. Also excluded from this warranty are scratches, nicks, minor dents, and other cosmetic damages on external surfaces and exposed parts; Products on which the serial numbers have been altered, defaced or removed; service visits for customer education, or visits where there is nothing wrong with the product; correction of installation problems (you are solely responsible for any structure and setting for the product, including all electrical, plumbing and/or other connecting facilities, for proper foundation/flooring, and for any alterations including without limitation cabinetry, walls, floors, shelving etc., as well as the resetting of breakers or fuses.

OUT OF WARRANTY PRODUCT

Avanti Products is under no obligation, at law or otherwise, to provide you with any concessions, including repairs, pro-rates, or product replacement, once this warranty has expired.

WARRANTY – REFRIGERATION - COMPRESSOR

INSTRUCCIONES DE SEGURIDAD

Su seguridad y la seguridad de los demás son muy importantes.

Hemos incluido muchos mensajes importantes de seguridad en este manual y en su electrodoméstico. Lea y obedezca siempre todos los mensajes de seguridad.



Éste es el símbolo de alerta de seguridad. Este símbolo le avisa de los peligros potenciales que pueden matar o lesionar a usted y otros. Toda la seguridad mensajes seguirá a el símbolo de alerta y cualquiera de los pabellones "PELIGRO", "ADVERTENCIA" o "PRECAUCIÓN".



Peligro significa que el incumplimiento de la medida de seguridad podría causar lesiones graves o la muerte.



Advertencia significa que si no se respeta esta medida de seguridad podría resultar en graves daños al producto, lesiones personales graves o la muerte.



Advertencia significa que si no se respeta esta medida de seguridad podría resultar en graves daños al producto, lesiones personales graves o la muerte.

Todo mensaje de seguridad le avisará a cuál es el peligro potencial, le dirán cómo reducir el riesgo de lesiones, y le hará saber lo que puede suceder si no se siguen las instrucciones.

MEDIDAS DE SEGURIDAD IMPORTANTES



Antes de enfriador de bebidas se utiliza, debe ser colocado correctamente e instalado como descrito en este manual, así que lea cuidadosamente el manual. Para reducir el riesgo de incendio, descarga eléctrica o lesiones al utilizar el enfriador de bebidas, Siga las precauciones básicas, incluyendo las siguientes

! DANGER !

- Enchufe en unas 3 clavijas con conexión a tierra toma de corriente, hacer No retire de puesta a tierra púa, hacer No utilice un adaptador, y no utilice un cable de extensión
- Reemplazar todos los paneles antes operativos
- Eso se recomienda usar un circuito separado, que sólo sirve a su enfriador de bebidas, ser proporcionado. Use recipientes ese no poder ser desactivado por un interruptor o cadena
- Nunca limpie electrodoméstico piezas con líquidos inflamables. Estos vapores pueden crear un riesgo de incendio o explosión. Y no almacene ni use gasolina u otros vapores y líquidos inflamables en la proximidad de este o cualquier otro electrodoméstico. Los vapores pueden crear un riesgo de incendio o explosión.
- Antes de proceder con las operaciones de limpieza y mantenimiento, asegúrese de que la línea de alimentación de la unidad se desconecta.
- hacer No conecte o desconecte el enchufe eléctrico con las manos mojadas
- Desenchufe el electrodoméstico o desconectar la alimentación antes de la limpieza o el mantenimiento. El no hacerlo puede provocar una descarga eléctrica o la muerte.
- hacer No intente reparar o reemplazar cualquier parte de su electrodoméstico a menos que se recomiende específicamente en este material. Cualquier otro servicio debe ser realizado por un técnico cualificado.

! WARNING !

- Se recomienda utilizar dos o más personas para mover e instalar el electrodoméstico. El aparato es pesado y puede resultar en daños de la espalda u otras lesiones.
- Para garantizar una ventilación adecuada para su electrodoméstico, la unidad debe estar completamente despejada. Elija un área bien ventilada con temperaturas superiores a 55°F (13°C) y por debajo de 90°F (32°C). Esta unidad debe ser instalada en un área protegida de los elementos, tales como el viento, la lluvia, rocío de agua o luz de sol.
- El electrodoméstico no debe colocarse cerca de hornos, parrillas u otras fuentes de calor.
- El electrodoméstico debe ser instalado con todas las conexiones eléctricas, de agua y de desagüe según los códigos estatales y locales. Hace falta un suministro eléctrico estándar (sólo 115 V CA, 60 Hz), debidamente conectada a tierra de acuerdo con el Código Eléctrico Nacional y los códigos y ordenanzas locales.
- Hacer No doble ni apriete el cable de alimentación del electrodoméstico.
- Los fusibles (o disyuntor) tamaño debe ser de 15 amperios.
- Eso Es importante que el electrodoméstico a nivelarse con el fin de funcionar correctamente. Puede que tenga que hacer varios ajustes para nivelarla.
- Toda la instalación debe realizarse de acuerdo con los requerimientos locales de plomería.
- Asegúrese de que los tubos no están aplastar ni dañado durante instalación.
- Compruebe si hay fugas después de la conexión.
- Nunca permita que los niños operen, jueguen o gatear el interior del electrodoméstico
- Hacer No utilice productos de limpieza a base de disolvente-abrasivos en el interior. Estos limpiadores pueden dañar o decolorar el interior.
- No utilice este electrodoméstico para que no sea su finalidad.

Conexión eléctrica

~ Advertencia ~

El uso inapropiado del enchufe a tierra puede resultar en el riesgo de descarga eléctrica. Si el cable de alimentación está dañado, haga que sea reemplazado por un centro de servicio autorizado de Avanti Products.

Este electrodoméstico debe estar conectado a tierra adecuadamente para su seguridad. El cable eléctrico de este electrodoméstico está equipado con un enchufe de tres puntas que encajan con tres enchufes de pared standard para reducir al mínimo la posibilidad de una descarga eléctrica.

Bajo ninguna circunstancia corte o remueva la punta de tierra del cable de alimentación suministrado.

Este electrodoméstico requiere una toma de corriente eléctrica 115Volts ~ / 60 Hz estándar con tierra de tres clavijas.

El cable debe ser asegurado detrás del electrodoméstico y no déjelo expuesto para evitar lesiones accidentales.

Nunca desenchufe el electrodoméstico tirando del cable de alimentación. Siempre sostenga firmemente el enchufe y tire en línea recta desde el receptáculo.

No utilice un cable de extensión con este electrodoméstico. Si el cable de alimentación es demasiado corto, haga que un electricista o técnico calificado instale un tomacorriente cerca del electrodoméstico.

Ø CABLE EXTENSIÓN

Debido a los peligros potenciales de seguridad bajo ciertas condiciones, se recomienda encarecidamente que no se utilice un cable de extensión con esta unidad. Sin embargo, si debe utilizar un cable de extensión es absolutamente necesario que se trate de un UL / CUL, 3 hilos con toma de tierra del electrodoméstico cable de extensión que tiene un enchufe y la toma a tierra y que la clasificación eléctrica del cable sea de 115 voltios y al menos 10 amperios.

Ø PROTECTOR CONTRA SOBRETENSIONES

La mayoría de los electrodomésticos utilizan una serie de paneles de control eléctricos para operar. Estas placas son muy susceptibles a las subidas de tensión y podrían ser dañados o destruidos.

Si el electrodoméstico va a ser usado en un área o si su ciudad / país es propenso a subidas de tensión / interrupciones; se sugiere que utilice un protector contra sobretensiones alimentación de todos los dispositivos / electrodomésticos que utiliza. El estabilizador de tensión que se selecciona debe tener un bloque oleada suficientemente alto como para proteger el electrodoméstico está conectado a. Si usted tiene alguna pregunta relacionada con el tipo y tamaño de contacto necesario protector contra sobretensiones a un electricista autorizado en su área.

Los daños debidos a sobrecargas de energía no se consideran un defecto cubierto por el fabricante y anulará la garantía del producto.

Ayúdenos a ayudarte...

Lea detenidamente esta guía.

Se pretende que ayude a utilizar y mantener su nuevo electrodoméstico correctamente.

Mantenga a la mano para responder a sus preguntas.

Si no entiende algo o si necesita más ayuda, por favor llame a:

Avanti Servicio al Cliente
800-220-5570

Mantenga prueba de la fecha original de compra (como el recibo de venta) con esta guía para establecer el período de garantía.

PRECAUCIÓN:

ESTE ELECTRODOMÉSTICO NO ESTÁ DISEÑADO PARA EL ALMACENAMIENTO DE MEDICINA U OTROS PRODUCTOS MÉDICOS.

Escribir se establece el modelo y número de serie.

Los encontrará en una placa situada en la pared exterior trasera del electrodoméstico.

Por favor, escriba estos números aquí:

Fecha de compra

Número de modelo

Número de serie

Utilice estos números en cualquier correspondencia o llamadas de servicio con respecto a su electrodoméstico.

Si ha recibido un electrodoméstico dañado, póngase inmediatamente en contacto con el distribuidor (o constructor) que le vendió el electrodoméstico.

Ahorrar tiempo y dinero. Antes de llamar al servicio técnico, consulte la Guía de solución de problemas. En él se enumeran las causas de los problemas de funcionamiento de menor importancia que se pueden corregir a sí mismo.

Si necesita servicio

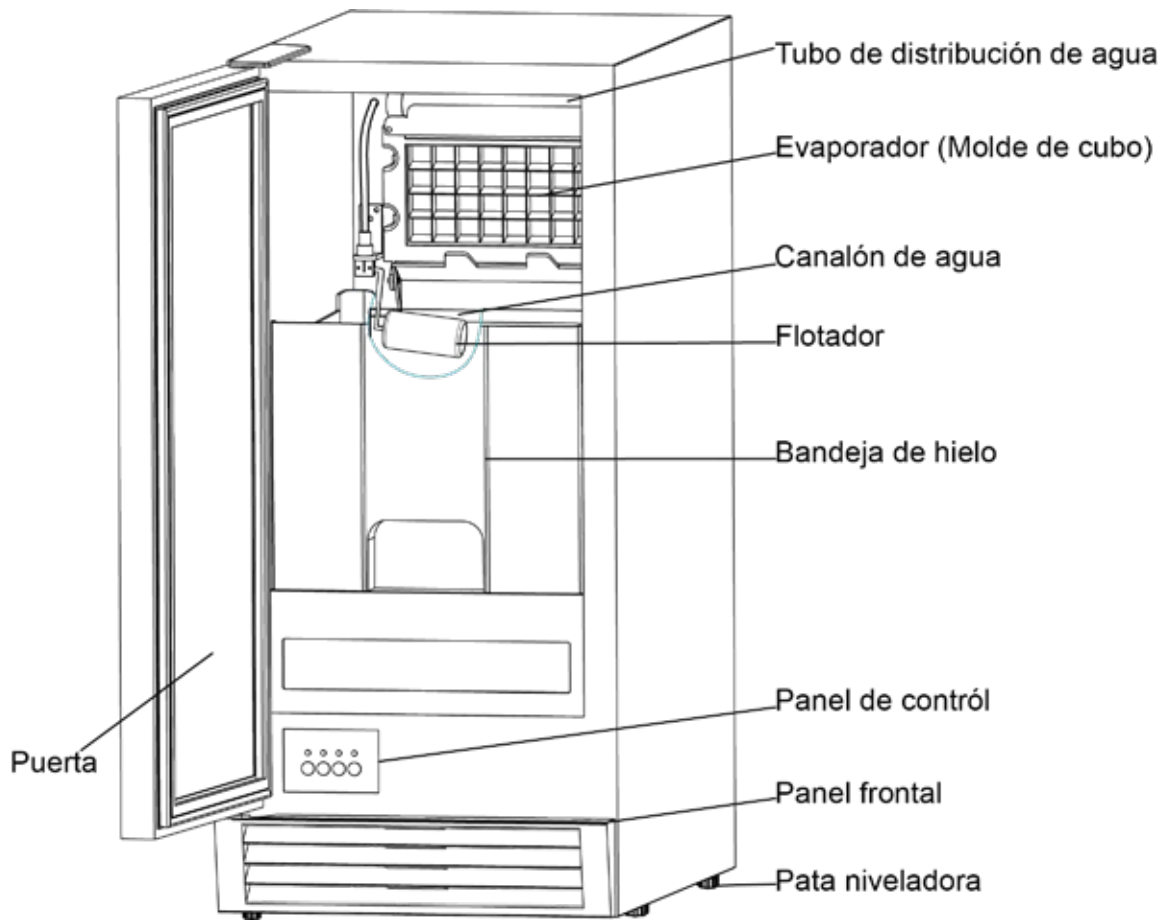
Estamos orgullosos de nuestro servicio y queremos que usted esté satisfecho. Si por alguna razón usted no está satisfecho con el servicio que recibe, aquí hay algunos pasos a seguir para obtener más ayuda.

PRIMERA, póngase en contacto con las personas que servicio de reparación del electrodoméstico. Explicar por qué usted no está satisfecho. En la mayoría de los casos, esto va a resolver el problema.

A continuación, si usted todavía no está contento, escribir todos los detalles, incluyendo su número de teléfono, y enviarlo a:

Servicio al cliente
Avanti Products
10880 NW 30 Street
Miami, FL 33172 EE.UU.

PARTES Y CARACTERISTICAS



INSTRUCCIONES DE SEGURIDAD IMPORTANTES

~ PRECAUCIÓN ~	Para reducir el riesgo de incendio, descarga eléctrica, o daño cuando use su aparato, siga las siguientes precauciones.
-----------------------	---

Esta unidad es para uso en interiores - GUARDE ESTAS INSTRUCCIONES -

- Leer todas las instrucciones antes de usar el aparato.
- **PELIGRO o ADVERTENCIA:** Riesgo de encierro para niños. Niños atrapados y sofocación no son problemas del pasado. Aparatos desechados o abandonados siguen siendo peligrosos. . . incluso si van a "sentarse en el garaje de unos pocos días".
- **Antes de deshacerse de su aparato viejo:** quite las puertas. Deje los estantes en su lugar para que los niños no puedan meterse con facilidad.
- Nunca permita que los niños manejen, jueguen o se arrastren dentro del aparato.
- Nunca limpie las piezas del aparato con líquidos inflamables. Los vapores pueden crear un peligro de incendio o explosión.
- No almacene ni use gasolina u otros vapores y líquidos inflamables en la proximidad de este o cualquier otro aparato. Los vapores pueden crear un peligro de incendio o explosión.

INSTRUCCIONES DE INSTALACIÓN

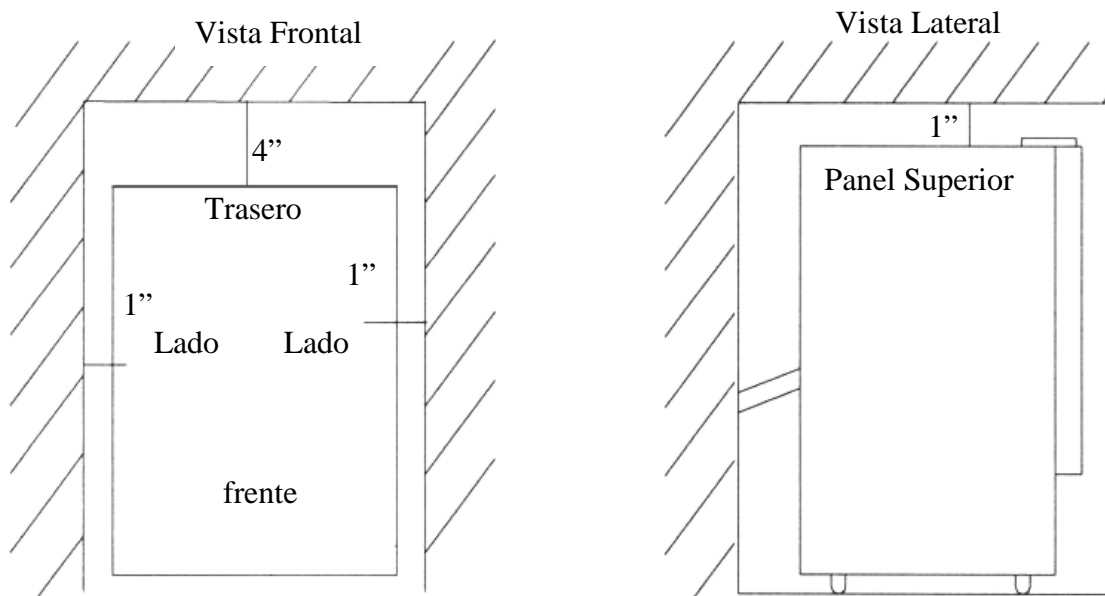
Antes de usar el aparato

- Retire la envoltura interna y externa.
- Verifique para asegurarse de que tiene todas las siguientes partes:
 - 1 Cucharón
 - 2 mangueras (1 para alimentación de agua / 1 para el desagüe)
 - Manual de Instrucciones
- Antes de conectar el aparato a la fuente de alimentación, es sugerido dejarlo en posición vertical durante aproximadamente 2 horas. Esto reducirá la posibilidad de un mal funcionamiento en el sistema de refrigeración del aparato de la manipulación durante el transporte.
- Limpie la superficie interior con agua tibia usando un paño suave.

Instalación del aparato

- Este aparato debe ser instalado por un profesional. Este aparato debe estar instalado en conformidad con todas las regulaciones locales y estatales.
- Coloque la unidad en un piso que sea lo suficientemente fuerte para soportar la unidad cuando está completamente cargado. Para nivelar la unidad, ajuste las patas niveladoras en la parte inferior de la unidad.
- Deje un espacio de un mínimo de 4 pulgadas entre la parte posterior y un mínimo de una pulgada a los lados y panel superior de la unidad, lo que permite la circulación de aire necesaria para enfriar el compresor y el condensador.
- Coloque la unidad lejos de la luz solar directa y de fuentes de calor (estufa, calentador, radiador, etc.) La luz solar directa puede afectar a la capa de acrílico y las fuentes de calor puede aumentar el consumo eléctrico. Temperaturas ambientales extremadamente frías también pueden causar que la unidad no funcione correctamente.
- Evite colocar la unidad en áreas húmedas.

Dimensiones requeridas para empotrar:



- La instalación de este aparato requiere una alimentación de agua por tubería de cobre flexible y válvula de seguridad con una conexión de ¼ de pulgada.
- El aparato requiere una alimentación de agua continua con una presión de 15 psi y una presión estática que no excede 80 psi. La temperatura de la alimentación debe estar entre 41°F (5°C) y 90°F (32°C).

Aviso	<i>Uso del aparato bajo temperaturas fuera de los rangos recomendados puede afectar el funcionamiento del aparato.</i>
--------------	--

Conexión eléctrica

~ PRECAUCIÓN ~

La conexión incorrecta del conductor a tierra puede resultar en riesgo de descarga eléctrica. Si el cable de alimentación de la estufa o aparato está dañado, hágalo cambiar por un centro de servicio de Avanti Products.

Este aparato debe estar correctamente conectado a tierra para su seguridad. El cable eléctrico de este aparato está equipado con un enchufe de tres patas que se acopla con las tomas de corriente estándar de tres clavijas para minimizar la posibilidad de choque eléctrico.

Bajo ninguna circunstancia corte o quite la tercera clavija de tierra del cable de alimentación suministrado. Para su seguridad personal, este aparato debe estar correctamente conectado a tierra.

Este aparato requiere un 115/120 Volt AC ~ / 60Hz enchufe estándar de conexión eléctrica a tierra con tres clavijas. Haga revisar el tomacorriente y el circuito por un electricista calificado para asegurarse que el tomacorriente está conectado a tierra correctamente. Cuando se encuentra una toma de corriente estándar de 2 patas, es su responsabilidad y obligación reemplazarlo por un tomacorriente de 3 clavijas debidamente conectado a tierra.

El cable debe mantenerse detrás del aparato y no dejó la vista ni colgando para prevenir lesiones accidentales.

El aparato debe ser conectado siempre en su propio contacto eléctrico individual que tenga un voltaje que vaya de la placa de características del aparato. Esto proporciona el mejor rendimiento y también evitar la sobrecarga de los circuitos eléctricos de la casa que podrían causar un riesgo de incendio por sobrecalentado. Nunca desenchufe el aparato tirando del cable de alimentación. Siempre agarre firmemente el enchufe y tire derecho hacia afuera del tomacorriente. Repare o reemplace inmediatamente todos los cables eléctricos que se hayan desgastado o dañado. No utilice un cable que muestre grietas o raspaduras en toda su longitud o en cualquier extremo. Al mover el aparato, tenga cuidado de no dañar el cable de alimentación.

Cable de extensión

Debido a peligros potenciales de seguridad bajo ciertas condiciones, se recomienda encarecidamente que no se utilice un cable de extensión con este aparato. Sin embargo, si debe utilizar un cable de extensión, es absolutamente necesario que sea un cable de UL / CUL 3 cables de extensión con puesta a tierra con enchufe con toma de tierra y la salida y que la clasificación eléctrica del cable sea de 115 voltios y al menos 10 amperios.

Protector contra sobretensiones

La mayoría de los aparatos eléctricos utilizan una serie de tableros de control eléctrico para funcionar. Estas tarjetas son muy susceptibles a sobretensiones y podrían resultar dañados o destruidos.

Si el aparato no va a ser utilizado en un área o si su ciudad / país es propenso a subidas de tensión / interrupciones; se sugiere que utilice un protector contra sobrecargas de energía para todos los dispositivos / aparatos eléctricos que esté tomando. El estabilizador de tensión que usted seleccione debe tener un bloqueo suficientemente alto como para proteger el aparato está conectado a. Si usted tiene alguna pregunta relacionada con el tipo y tamaño de protector contra sobretensiones es necesario ponerse en contacto con un electricista calificado en su área.

Los daños debidos a las sobrecargas de energía no se consideran un defecto cubierto por el fabricante y anulará la garantía del producto.

Alimentación de agua

El aparato requiere una alimentación de agua continua con una presión de 15 psi y una presión estática que no excede 80 psi. La temperatura de la alimentación debe estar entre 41°F (5°C) y 90°F (32°C).

IMPORTANTE:

1. *Se recomienda instalación por un profesional. Todas las conexiones deben estar en conformidad con las reglas y regulaciones locales y estatales.*
2. *Este seguro que las mangueras no están dobladas o comprimidas durante la conexión.*
3. *Después inspecciona que no hay goteras de las conexiones.*

Herramientas necesarias: Llave de boquilla abierta de ½", destornillador tipo Phillips (+).

Como conectar la tubería de alimentación de agua:

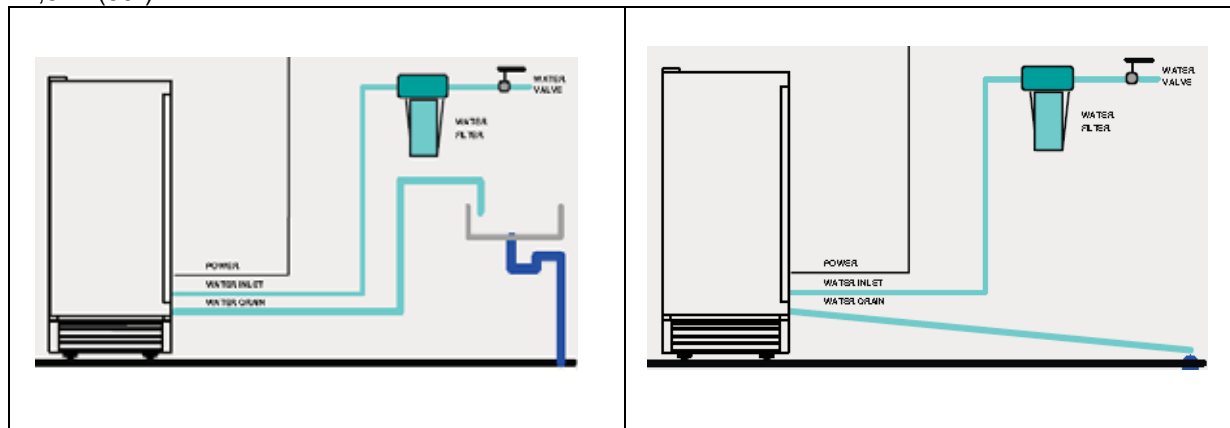
1. **Apagar la válvula principal del suministro de agua. Abre el grifo para vaciar la tubería de suministro, cuando la tubería este vacía cierre el grifo.**
2. Busca una manguera (½" o ¾") en posición vertical cerca del área de instalación. La distancia del aparato debe ser menos de 6 pies. La manguera que está incluida con el aparato mide aproximadamente 6 pies.
3. Requiere una válvula de seguridad conectada al suministro principal de agua.
4. Enrosca un lado de la manguera al grifo y enrosca el otro lado al aparato. Apriete con la mano y luego con la llave.
5. Abre la válvula e inspecciona por goteras en las conexiones.

Desagüe

Debe conectar la línea de drenaje antes de usar la fábrica de hielo. Siga los pasos descritos a continuación.

Hay dos tipos de modos de máquina de hielo, uno que drena por gravedad y otro que tiene una bomba de drenaje interna.

Esta unidad puede bombear agua hasta una altura de 1,5 m (59 ") o sobre una longitud horizontal de 1,5 m (59").



Conexión de la línea de drenaje:

NOTA: Si hay una línea de drenaje cerca de la fábrica de hielo, la mejor opción es drenar el agua a la línea de drenaje a través de la manguera de agua de drenaje provista con la máquina de hielo.

1. Ubique el drenaje del piso cerca de la fábrica de hielo. La distancia debe ser inferior a 5 pies ya que la longitud de la manguera de agua de drenaje larga provista con la fábrica de hielo es de aproximadamente 5 pies.
2. Busque la salida de drenaje en la parte posterior de la fábrica de hielo. Conecte la salida de drenaje a la manguera de drenaje de agua e inserte el otro extremo de la manguera en la línea de drenaje.

NOTA: Nunca permita que la manguera de drenaje cuelgue o se enrolle más alto que el piso del hielo cesta de almacenaje.

3. Todas las líneas horizontales de las líneas de drenaje deben tener una caída de $\frac{1}{4}$ "por pie. Es probable que se requiera un espacio de aire entre el tubo de drenaje de la fábrica de hielo y el receptáculo de drenaje / desechos. Una tubería vertical con una trampa debajo sería aceptable para el receptáculo de drenaje / desechos. Un drenaje de piso también es aceptable. Si esto no es posible, se recomienda el uso de una bomba de condensado.

4. Vierta 1 galón de agua en el depósito de hielo para verificar si hay fugas en el sistema de drenaje. Apriete cualquier conexión que tenga fugas.

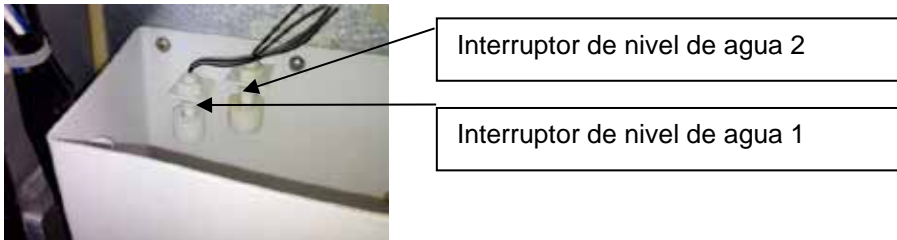
IMPORTANTE: Esta fábrica de hielo no es un congelador. El drenaje poco frecuente causará una alta tasa de fusión en el depósito de hielo.

Los componentes del sistema de drenaje de agua de bombeo son

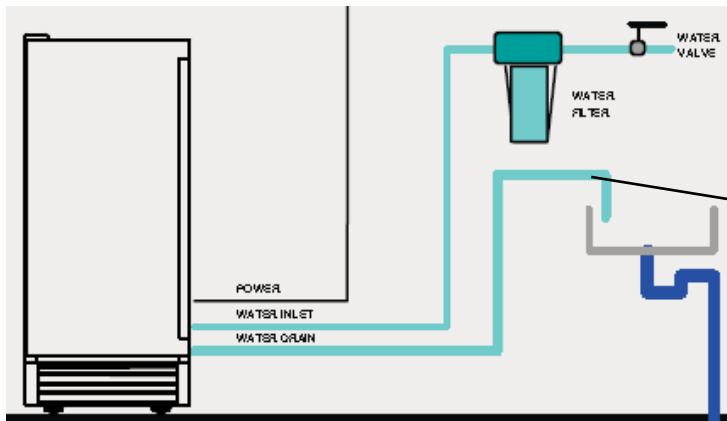
- Depósito de agua Tarjeta de PC e interruptor de nivel de agua 1, 2
- Bomba de drenaje de agua

OPERACIÓN

- Toda el agua que proviene del desbordamiento y el hielo derretido se recoge en el depósito de agua.
- Tan pronto como el agua en el depósito alcanza el nivel máximo, el interruptor de nivel de agua 1 se cierra y transmite una corriente de bajo voltaje a la tarjeta de PC.



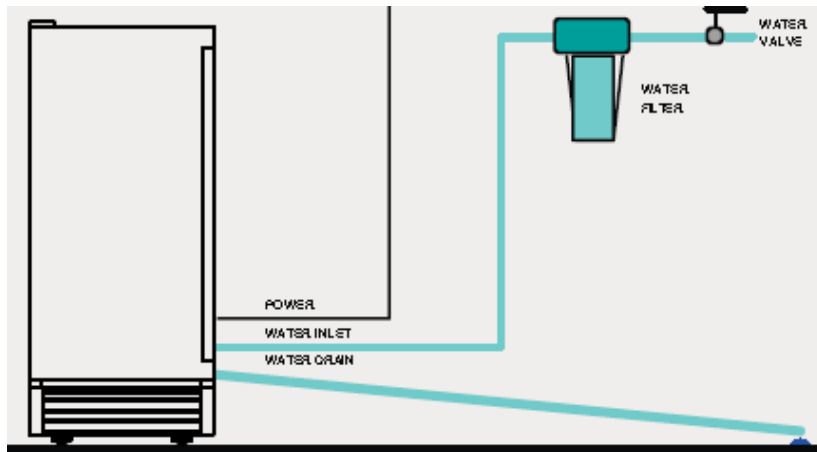
- La placa de PC activa la bomba de drenaje de agua durante 20 segundos, bombeando la mayor parte del agua contenida en el depósito de agua.
- El agua se puede bombear hasta una altura de 1,5 m (59 ") o



NOTA:

La salida de la manguera de drenaje debe elevarse más alto que la superficie del agua para evitar que el agua drenada regrese al depósito de agua.

o sobre una longitud horizontal de 1,5 m (59").

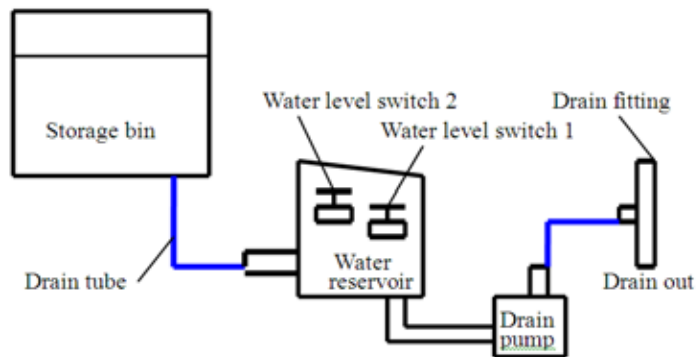


AVISO!

Si suena el timbre de la alarma, apague la fábrica de hielo y el suministro de agua, retire todo el hielo del depósito de almacenamiento y limpie el agua que pueda haberse desbordado. Verifique si hay agua en el canal de agua en la parte posterior de la unidad; Si no hay agua, la bomba de drenaje puede no estar recibiendo la cantidad adecuada de energía. Verifique la fuente de energía. Si se puede corregir el problema, encienda la unidad nuevamente. También verifique que ninguna de las líneas de agua esté doblada. Si el problema persiste, comuníquese con el Servicio al cliente.

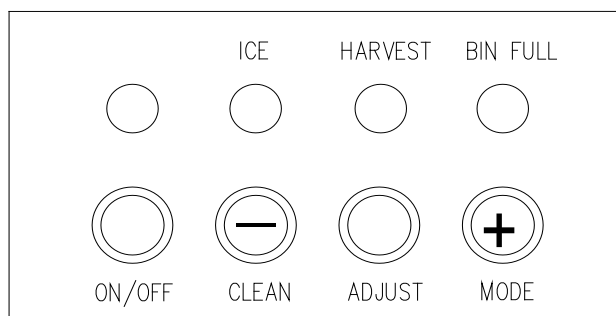
- Si el interruptor de nivel de agua 2 se cierra, transmitiendo una corriente de bajo voltaje a la placa de PC, la placa de PC activa el

alarma del zumbador, informándole que la bomba de drenaje, el interruptor de nivel de agua o el tubo de drenaje pueden estar funcionando mal.



FUNCIONAMIENTO DEL APARATO

CONTROL PANEL



Descripción de las luces y botones:

1. Bin Full (Rojo)/(Gaveta llena):

Indica que la gaveta está llena y no continuará haciendo hielo.

Cuando este alumbrado, significa que la gaveta de almacenaje está llena. La unidad parará de hacer hielo hasta que se remueve hielo de la gaveta o se derriten lentamente los cubos.

Cuando el nivel de cubos se baje, la luz roja titilará por aproximadamente 3 minutos y el aparato regresará al proceso de hacer hielo.

2. Ice Making(Verde)/(Haciendo Hielo):

Indicador que el aparato está en el proceso de hacer hielo.

Cuando este encendido el aparato está en proceso de hacer hielo.

3. Ice Harvest (Amarillo)/(Guardando Hielo):

Cuando esté encendido, significa que el aparato esté en el proceso de pasar los cubos de hielo del evaporador hacia la gaveta de almacenaje.

4. Mode (Modo): Primariamente usado para empezar el proceso de hacer hielo o para servicio y reparación. Oprime el botón para cambiar el proceso entre hacer hielo y guardar hielo.

5. Adjust (Ajuste): Primariamente usado para servicio. Oprime el botón por aproximadamente 3 segundos para cambiar el tamaño de los cubos.

Como cambiar el tamaño de los cubos:

1. Oprime el botón por aproximadamente 3 segundos. El aparato entrará en modo de ajuste. La luz indicadora amarilla titilará continuo durante la selección del tamaño de los cubos.

2. Mientras que titila la luz amarilla oprime el botón marcado "Clean" (-) o "Mode" (+) para seleccionar el tamaño deseado.

Cubos de tamaño pequeño:

Oprime el botón marcado "Clean" (-) hasta que alumbre la luz verde para seleccionar cubos pequeños.

Cubos de tamaño grande:

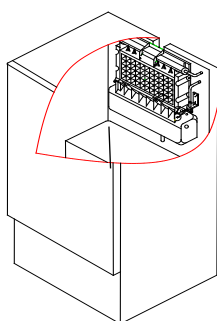
Oprime el botón marcado "Mode" (+) hasta que alumbre la luz roja para seleccionar cubos grandes.

Después de 10 segundos el aparato volverá al proceso de hacer hielo automáticamente.

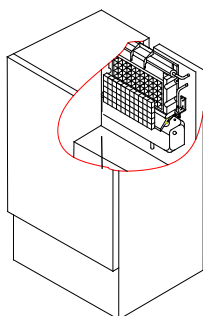
NOTA:

- Si durante el proceso de seleccionar el tamaño de los cubos se alumbran las (3) tres luces a la vez, esto indica que el tamaño mediano está seleccionado.
- Cuando el aparato esté en el proceso de autolimpieza, no permite ningún cambio a la selección del tamaño de los cubos.

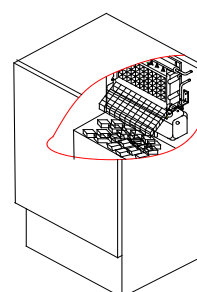
Como hacer hielo:



Hacer hielo



Guardar hielo



Gaveta llena

1. Abre la válvula, oprime el botón marcado ON/OFF para encender la unidad y deje que el canalón se llene de agua. El aparato empezará automáticamente. (El indicador ICE – Verde titilará)
2. Después de 3 minutos, el aparato empezará hacer hielo y escuchará el sonido de agua fluyendo.
3. Oprime el botón marcado MODE para empezar el proceso de hacer hielo si no ha empezado automáticamente. (El indicador ICE – Verde titilará).
4. Cuando el hielo está formado completamente, los cubos caerán hacia la gaveta de almacenaje.
5. Cuando la gaveta de almacenaje esté llena, el aparato parará de hacer hielo automáticamente.
6. El aparato volverá hacer hielo cuando se remueve los cubos de la gaveta o se derriten lentamente.

IMPORTANTE:

- Se recomienda botar los primeros cubos producido después de instalación.
- Nunca cierre la válvula mientras que la unidad esté produciendo hielo.
- Nunca tocar el evaporador mientras que la unidad esté produciendo hielo
- Mantener la puerta cerrada para evitar que el hielo se derrita y asegurar función eficiente del aparato.

CUIDADO Y MANETENIMIENTO

Como limpiar el aparato.

Si la máquina de hielo no se usa durante mucho tiempo, antes del próximo uso debe limpiarse a fondo. Siga cuidadosamente las instrucciones proporcionadas para la limpieza o el uso de soluciones desinfectantes. No deje ninguna solución dentro de la fábrica de hielo después de la limpieza.

Limpieza rutinaria asegurará eficiencia de función y v

Nota importante:

Nunca almacene artículos en la gaveta de almacenaje, el aparato no es un congelador. Objetos como botellas de vino o cerveza no son sanitarios y las etiquetas de las botellas pueden mojarse y caerse causando bloqueo en la manguera de desagüe.

WARNING

Desconecte la unidad de la tomacorriente y cierre la válvula antes de proceder con la limpieza y mantenimiento de la unidad.

Limpieza de las partes exteriores

La puerta y el gabinete se pueden limpiar con una solución de un detergente suave y agua tibia (por ejemplo 1 oz de jabón de lavar platos con 2 galones de agua tibia). No utilice químicos de limpieza con solventes o abrasivos. Utilice una esponja suave y enjuague con agua limpia.

Limpieza del parte interior

Se recomienda desinfectar y limpiar la gaveta de almacenaje frecuentemente. Limpie el canalón de agua la primera vez que se usa y también después de tiempos largos sin uso.

1. Desconecta la unidad del tomacorriente.
2. Remueva el hielo y limpia el interior de la unidad con una solución de 1 oz de cloro y 2 galones de agua caliente.
3. Remueva la manguera de desagüe del interior de la unidad.
4. Enjuague con agua limpia.
5. Después de drenar la unidad, instale la manguera de desagüe en su posición original (ver imagen).
6. Conecte la unidad al tomacorriente.

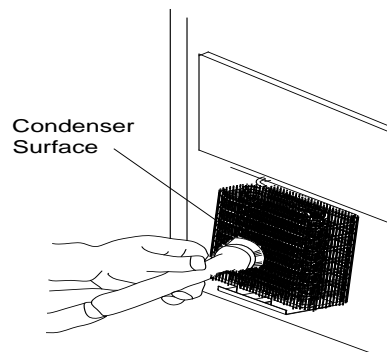
Posición correcta de la manguera de desagüe



Como limpiar el condensador

Un condensador sucio impide la circulación del aire y reduce la capacidad de hacer hielo, y causa elevación de las temperaturas operativas que puede resultar en daños. Debe de limpiar el condensador cada seis meses.

1. Desconecte la unidad del tomacorriente.
2. Remueva la parrilla delantera.
3. Limpia el condensador con una aspiradora con broche
4. Instala la parrilla delantera
5. Conecta la unidad al tomacorriente, la unidad volverá a funcionar automáticamente.



Fallo de alimentación

Usualmente la electricidad regresa en unas pocas horas sin afectar la temperatura de su aparato, siempre que la puerta no se abra muy frecuentemente. Si le va a faltar electricidad por un período de tiempo más largo, usted debe tomar los pasos apropiados para proteger sus alimentos.

Tiempo de vacaciones

Vacaciones cortas: Deje la unidad en funcionamiento durante las vacaciones de menos de tres semanas.

Vacaciones largas: Si el aparato no va a utilizar durante varios meses, retire todos los alimentos y desenchufe el cable de alimentación. Limpie y seque bien el interior. Para evitar olores y humedad, deje la puerta levemente abierta: bloquéela de ser necesario

Para mover su aparato

- Retire el hielo. Cierre la válvula de seguridad.
- Desconecte las mangueras de agua y desagüe.
- Asegúrese de colocar cinta adhesiva a todo lo que se puede caer dentro de su aparato.
- Retire las patas para prevenir que se dañen.
- Selle las puertas con cinta adhesiva.
- Asegúrese que el aparato se mantenga parado durante el traslado.

Consejos para ahorrar energía

Su aparato debe estar ubicado en el área más fría de la habitación, alejado de aparatos que produzcan calor o conductos de aire caliente y lejos de los rayos solares.

GUÍA DE SOLUCIÓN DE PROBLEMAS

Puede solucionar muchos problemas comunes de la unidad fácilmente, ahorrando el costo de una posible llamada de servicio. Pruebe las sugerencias a continuación para ver si puede resolver el problema antes de llamar al servicio técnico.

Problema	Causa posible	Probable corrección
La máquina no funciona.	La máquina está desenchufada.	Enchufe la máquina de hielo.
	El fusible está fundido.	Reemplace el fusible. Si sucede otra vez, llame al servicio verificar que un corto circuito en la unidad.
	El botón de encendido del fabricante de hielo está fijado en OFF.	
	El recipiente de hielo está lleno de hielo.	Quite algunos cubitos de hielo. Asegúrese de que la sonda de lleno de hielo esté libre de hielo.
El agua no alimenta en después de la máquina.	El grifo de suministro de agua se apaga.	Abrir el grifo de suministro de agua.
	La tubería de suministro de agua no está conectada correctamente.	Vuelva a conectar la tubería de suministro de agua.
La máquina hace hielo, pero bandeja no se llene con hielo.	El condensador puede estar sucio.	Limpiar el condensador.
	El flujo de aire a la máquina de hielo puede ser obstruido.	Revise la instalación.
	La temperatura ambiente y temperatura del agua son altos, o unidad está cerca de alguna fuente de calor.	Revise la instalación.
Agua gotea fuera de la unidad.	Agua cae al piso al abrir la puerta para retirar el hielo del recipiente de almacenamiento.	Condensación normal en la puerta o agua con hielo. Tenga cuidado al sacar hielo.
	Conexión de suministro de agua está goteando.	Apriete la conexión. Ver <i>conexión de la línea de agua</i> .
	Superior a la salida de desagüe de tubo de drenaje.	Tubo de drenaje inferior.
Cubos se terminan de formar o son de color blancos en la parte inferior.	No hay suficiente agua en el recipiente de agua.	Compruebe si la presión de suministro de agua es inferior a 15 psi.
		Verificar suministro de agua o filtro puede estar restringido.

		Si hay una fuga de agua en el recipiente de agua.
Ruidos durante el funcionamiento	Los pies no están nivelados y bloqueados.	Nivelar y trabar las patas. Véase <i>nivelación de la fábrica de hielo</i> .
	Ciertos sonidos son normales.	Ver <i>Sonidos normales</i> .
La fábrica de hielo se detiene bruscamente haciendo hielo.	La electricidad está apagada.	Vuelva a conectar la línea de alimentación.
	La temperatura ambiente está fuera del rango indicado.	Cortar la electricidad y salir de la fábrica de hielo desconectada hasta que la temperatura vuelva a dentro de la gama especificada.
	El recipiente de hielo está lleno de hielo.	Quite algunos cubitos de hielo; Asegúrese de que la sonda de lleno de hielo esté libre de hielo.
El cuerpo de la fábrica de hielo está vivo	La línea de tierra no está en el zócalo.	Utilizar un receptáculo que cumple con los requisitos de puesta a tierra.
Escala se produce con frecuencia dentro de la máquina.	El nivel de dureza del agua es demasiado alto.	Instalar un dispositivo de ablandamiento del agua frente a la entrada de agua.
Fugas de agua desde el recipiente de hielo	Desagüe debajo el recipiente de hielo está bloqueado.	Retire el recipiente de hielo y limpie el drenaje.
	La manguera de desagüe está retorcida o incorrectamente colocado más alta que el piso del recipiente de hielo.	Compruebe la manguera de desagüe para asegurarse de que el agua puede drenarse hacia fuera sin trabas.

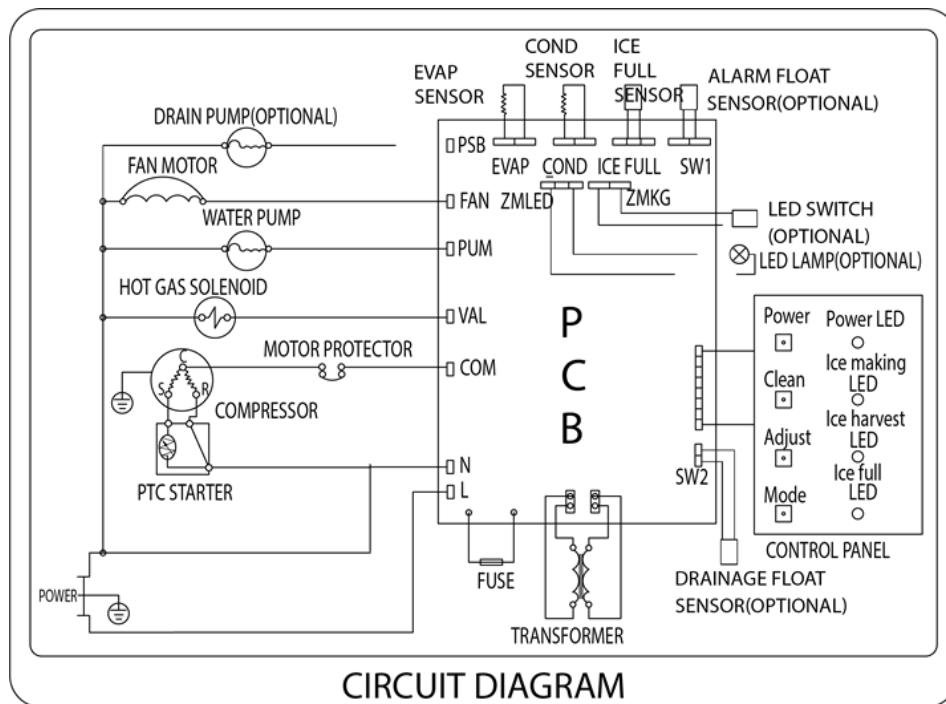
SERVICIO EN SU ELECTRODOMESTICO

Estamos orgullosos de nuestra organización de servicio al cliente y la red de técnicos de servicios profesionales que prestan servicio en sus Avanti Productos. Con la compra de su Avanti Products dispositivo, puede estar seguro de que si alguna vez necesita información o asistencia adicional, el equipo de Servicio al Cliente de Avanti Products estará aquí para usted. Sólo tiene que llamar al número gratuito.

AVANTI PRODUITS SERVICES CLIENTS

Información sobre el producto 800-323-5029	Lo que sus preguntas son acerca de nuestros productos, la ayuda está disponible.
Pedidos de piezas 800-220-5570	Usted puede pedir piezas y accesorios que serán entregados directamente a su casa con un cheque personal, giro postal, Master Card, o Visa.
Servicio de reparación en casa 800-220-5570	Un centro de servicio autorizado de Avanti Products proporcionará el servicio de reparación de expertos, prevista en un momento que sea conveniente para usted. Nuestros técnicos de conocer nuestros productos de adentro hacia afuera.

ESQUEMA DE CABLEADO



SUS GARANTIA DE AVANTI PRODUCTS	Grapa su recibo de compra aquí. Se necesita un comprobante de la fecha de compra original para obtener servicio bajo garantía.
COBERTURA - GARANTÍA LIMITADA DE UN AÑO	
<p>Avanti Products garantiza que el producto está libre de defectos en materiales y / o mano de obra durante un período de doce (12) meses desde la fecha de compra por el propietario original. El tiempo mencionado arriba comienza a ejecutarse a partir de la fecha de compra, y no se puede detener, estar sujeto a derechos, extender o suspender por cualquier motivo no ser que se describe en detalle en el documento de garantía. Durante un año a partir de la fecha de compra por el propietario original, los productos de Avanti, a su elección, reparará o reemplazará cualquier parte del producto que resulta ser defectuosa en material o mano de obra bajo condiciones normales de uso. Avanti Products le proporcionará un producto parecido al original, ya sea nuevo o restaurado de fábrica. Durante este período de Avanti Products proporcionará todas las piezas y mano de obra necesarias para corregir dichos defectos de forma gratuita, siempre y cuando el producto ha sido instalado y operado de acuerdo con las instrucciones escritas en este manual. En el uso de alquiler o comercial, el periodo de garantía es de 90 días. Todos los electrodomésticos de Avanti de 4.4 pies cúbicos de capacidad o menos deben ser llevados / enviado al centro de servicio del electrodoméstico para su reparación.</p>	
SEGUNDO A TRAVÉS DE GARANTÍA LIMITADA DE QUINTO AÑO	
<p>Para el segundo hasta el quinto año desde la fecha de compra original, Avanti Products proporcionará un compresor de reemplazo de forma gratuita debido a un fallo. Usted es responsable de las cargas de trabajo y de carga de servicio. En el uso de alquiler o comercial, la garantía del compresor es limitada a un año y nueve meses. Costos involucrados para mover el producto al centro de servicio y de vuelta a la casa del usuario, como tal requiere, son responsabilidad del usuario.</p>	
EXCLUSIONES DE LA GARANTÍA / ¿Qué no cubre:	
<p>La cobertura de la garantía se describe aquí excluye todos los defectos o daños que no son la responsabilidad directa de los productos de Avanti, incluyendo, sin limitación, uno o más de los siguientes:</p>	
<ul style="list-style-type: none"> • Un incumplimiento de cualquier estado, la localidad, ciudad, condado o instalaciones eléctricas, hidráulicas y / o códigos de construcción, reglamentos o leyes, incluyendo la falta de instalar el producto en estricta conformidad con los códigos y reglamentos contra incendios y de construcción locales. • Cualquier fuerzas y factores, incluyendo, sin limitación, la lluvia, el viento, la arena, inundaciones, incendios, deslizamientos de lodo, temperaturas de congelación, humedad excesiva o la exposición prolongada a la humedad, rayos externos, elementales y / o ambientales, sobretensiones, fallas estructurales alrededor del electrodoméstico y los actos de Dios. • las pérdidas de contenido de alimentos o de otros contenidos debido a su deterioro. • Los daños incidentales o consecuentes • Piezas y mano de obra para los siguientes no serán consideradas como garantía: <ul style="list-style-type: none"> • puertas del evaporador, resortes de la puerta, y / o marcos. • paneles interiores de puertas, estantes de la puerta, los carriles de las puertas, y / o soportes de la puerta. • bombillas y / o carcasa de plástico. • revestimientos de plástico del gabinete. • Pinchado evaporador que anula la garantía en el sistema sellado completo. 	<ul style="list-style-type: none"> • Costes de envío asociados a la sustitución de la unidad. • Reparaciones realizadas por servicio sin autorización. • Las llamadas de servicio que están relacionados con los problemas externos, tales como abuso, mal uso, suministro eléctrico inadecuado, accidentes, incendios, inundaciones, o cualquier otro acto de Dios. • Fallas del producto si se utiliza para otra cosa que tenía la intención propósito. • La garantía no se aplica fuera de los EE.UU. continental. • Recargos incluyendo, pero no limitado a, cualquier tras hora, llamadas de fin de semana o vacaciones de servicios, peajes, pasajes de transporte o gastos de kilometraje para llamadas de servicio a zonas remotas.
<p>En ningún caso Avanti Products tener ninguna obligación o responsabilidad alguna por daños a la propiedad cercana al electrodoméstico, incluyendo gabinetes, pisos, techos y otras estructuras y / u objetos alrededor del producto. También se excluyen de esta garantía los arañazos, golpes, abolladuras menores, y otros daños cosméticos en superficies externas y partes expuestas; Productos en los que se han alterado los números de serie, dañado o eliminado; visitas de servicio para la educación del cliente, o visitas donde no hay nada mal con el producto; corrección de problemas de instalación (usted es el único responsable de cualquier estructura y entorno para el producto, incluyendo todas las instalaciones eléctricas, de fontanería y / u otras instalaciones de conexión, para la cimentación / pisos adecuados y para alteraciones incluyendo sin limitación gabinetes, paredes, pisos, estanterías etc., así como el reajuste de interruptores o fusibles.</p>	
A PARTIR DEL PRODUCTO GARANTÍA	
<p>Avanti Products no tiene ninguna obligación, por ley o de otro modo, para ofrecerle ninguna concesión, incluidas las reparaciones, estimados, o el reemplazo del producto, una vez que esta garantía ha expirado.</p>	
GARANTÍA - REFRIGERACIÓN - COMPRESOR	

APPAREIL SÉCURITÉ

Votre sécurité et celle des autres sont très importantes.

Nous avons fourni de nombreux messages de sécurité importants dans ce manuel et sur votre appareil. Toujours lire et obéir à tout message de sécurité.



C'est le symbole d'alerte de sécurité. Ce symbole vous signale les dangers potentiels peut tuer ou blesser vous et d'autres. Tout sécurité messages suivra la sécurité symbole d'alerte et soit les quartiers " DANGER", "ATTENTION" ou "PRUDENCE".



Danger signifie que le non-respect de cette déclaration de sécurité peut entraîner des blessures ou la mort.



Attention signifie que le non-respect de cette déclaration de sécurité peut entraîner des dommages importants du produit, des blessures graves ou la mort.



Attention signifie que le non-respect de cette déclaration de sécurité peut entraîner des mineures ou modérées blessures, ou des biens ou des dommages matériels.

Tout message de sécurité vous alertera à quel est le danger potentiel et vous disent comment réduire le risque de blessure, et vous permettent de savoir ce qui peut arriver si les instructions ne sont pas suivies.

APPAREIL SÉCURITÉ



Avant le refroidisseur de breuvages est utilisé, il doit être correctement positionné et installé comme décrit dans ce manuel, afin de lire attentivement le manuel. Pour réduire le risque d'incendie, choc ou de blessure électrique lors de l'utilisation du refroidisseur de breuvages, Suivez les précautions de bases, comprenant les éléments suivants:



- Brancher sur une 3 broches mise à la terre sortie, faire pas enlever la terre broches, faire pas utiliser un adaptateur, et ne pas utiliser une rallonge
- Remplacer tous les panneaux avant exploitation
- Il est recommandé d'utiliser un circuit distinct, qui sert uniquement votre refroidisseur de breuvages, fournir. Utilisez des récipients cette ne peut pas être désactivé par une chaîne de traction interrupteur où
- ne jamais nettoyer appareil pièces avec des liquides inflammables. Ces vapeurs peuvent créer un risque d'incendie or explosion. Et ne pas stocker ou utiliser de l'essence ou d'autres vapeurs et liquides inflammables à proximité de cet appareil ou de tout autre appareil. Les vapeurs peuvent créer un risque d'incendie ou d'explosion.
- Avant de procéder à des opérations de nettoyage et d'entretien, assurez-vous que la ligne d'alimentation de l'appareil est débranchée.
- Faire pas brancher ou débrancher la prise électrique lorsque vos mains sont humides
- Débranchez l'appareil où déconnecter l'alimentation avant le nettoyage ou l'entretien. Ne pas le faire peut entraîner un choc électrique ou la mort.
- Faire pas tenter de réparer ou de remplacer une partie de votre appareil à moins qu'il ne soit spécifiquement recommandé dans ce matériau. Toutes les autres réparations doivent être confiées à un technicien qualifié.



- Utilisation deux personnes ou plus pour déplacer et installer l'appareil. Ne pas le faire peut entraîner dans le dos ou d'autres blessures.
- Pour assurer une bonne ventilation de votre appareil, l'appareil doit être complètement dégagé. Choisissez un endroit bien aéré avec des températures supérieures à 55°F (13°C) et au-dessous 90°F (32°C). Cet appareil doit être installé dans une zone protégée de l'élément, Comme le vent, la pluie, de l'eau pulvérisée ou lumière du soleil.
- l'appareil ne doit pas être situé à côté de fours, grilles ou autres sources de chaleur élevée.
- L'appareil doit être installé avec toutes les connexions électriques, d'eau et d'évacuation, conformément à codes étatiques et locaux. Une alimentation électrique standard (115 V CA seulement, 60 Hz), mise à la terre conformément au Code national de l'électricité et les codes et règlements locaux est nécessaire.
- Faire pas plier ou pincer le cordon d'alimentation de l'appareil.
- Le fusible (ou disjoncteur) doit être de 15 ampères.
- Il est important pour l'appareil soit à niveau afin de fonctionner correctement. Vous devrez peut-être faire plusieurs ajustements à niveler.
- Toute installation doit être conforme aux exigences du code de plomberie locale.
- Assurez-vous que les tuyaux ne sont pas pincés ou pliés ou endommagés au cours installation.
- Vérifier les fuites après connexion.
- Ne jamais laisser les enfants utiliser, jouer avec ou crawl à l'intérieur de l'appareil
- Faire pas utiliser de produits de nettoyage à base de solvants or abrasifs sur l'intérieur. Ces nettoyeurs peuvent endommager ou décolorer l'intérieur.
- Ne pas utiliser cet appareil pour d'autres fins que celles prévues.

Connexion électrique

~ Attention ~

Une mauvaise utilisation de la prise de terre peut entraîner un risque de choc électrique. Si le cordon d'alimentation est endommagé, faites-le remplacer par un centre de service Avanti Products autorisé.

Cet appareil doit être correctement mis à la terre pour votre sécurité. Le cordon d'alimentation de cet appareil est équipé d'une fiche à trois broches qui accouple avec trois standards prises murales broches afin de minimiser le risque de choc électrique.

Ne pas en aucun cas couper ou enlever la troisième broche de terre du cordon d'alimentation fourni.

Cet appareil nécessite une prise électrique standard 115Volts ~ / 60Hz avec le sol à trois broches.

Le cordon doit être fixé derrière l'appareil et non laissés exposés ou qui pendent pour prévenir les blessures accidentelles.

Ne jamais débrancher l'appareil en tirant sur le cordon d'alimentation. Toujours saisir fermement la fiche et tirez tout droit sorti de la prise.

Ne pas utiliser une rallonge avec cet appareil. Si le cordon d'alimentation est trop court, demandez à un électricien qualifié ou un technicien de service installer une prise près d'appareil.

Ø RALLONGE ÉLECTRIQUE

En raison des risques potentiels pour la sécurité dans certaines conditions, il est fortement recommandé de ne pas utiliser une rallonge avec cet appareil. Toutefois, si vous devez utiliser une rallonge, il est absolument nécessaire que ce soit un UL / CUL, 3 fils de terre appareil rallonge ayant une fiche de mise à la terre et à la sortie et que la puissance électrique du câble est de 115 volts et au moins 10 ampères.

Ø PARASURTENSEUR

La plupart des appareils électriques utilisent une série de tableaux de commande électriques pour fonctionner. Ces cartes sont très sensibles aux surtensions et pourraient être endommagés ou détruits.

Si l'appareil va être utilisé dans une zone ou si votre ville / pays est sujette à des surtensions / coupures; il est suggéré que vous utilisez un dispositif de protection contre les surtensions pour tous les dispositifs / appareils électriques que vous utilisez. Le protecteur de surtension que vous sélectionnez doit avoir un bloc de poussée suffisamment élevé pour protéger l'appareil, il est connecté. Si vous avez des questions concernant le type et la taille d'un protecteur de surtension contact nécessaire à un électricien agréé dans votre région.

Les dommages dus à des surtensions ne sont pas considérés comme un fabricant couvert défaut et annulera la garantie du produit.

AIDEZ-NOUS À VOUS AIDER ...

tentivement ce guide.

Il est destiné à vous aider à utiliser et à maintenir votre nouvel appareil correctement.

Garde-le à portée de main pour répondre à vos questions.

Si vous ne comprenez pas quelque chose où vous avez besoin de plus d'aide, s'il vous plaît appelez:

**Avanti Service à la clientèle
800-220-5570**

Gardez preuve de la date d'achat d'origine (tel que votre bordereau de vente) avec ce guide pour établir la période de garantie.

PRUDENCE:

**CET APPAREIL EST PAS
CONÇU POUR LE STOCKAGE
DE MÉDECINE OU D'AUTRES
PRODUITS MÉDICAUX.**

Écrire le modèle et le numéro de série.

Vous les trouverez sur une plaque située sur la paroi extérieure arrière de l'appareil.

S'il vous plaît écrire ces chiffres ici:

Date d'achat

Numéro de modèle

Numéro de série

Utilisez ces numéros dans toute correspondance ou appels de service concernant votre appareil.

Si vous avez reçu un appareil endommagé, contactez immédiatement le revendeur (ou le constructeur) qui vous a vendu l'appareil.

Gagnez du temps et de l'argent. Avant d'appeler le service, consultez le Guide de dépannage. Il énumère les causes des problèmes de fonctionnement mineurs que vous pouvez vous corriger.

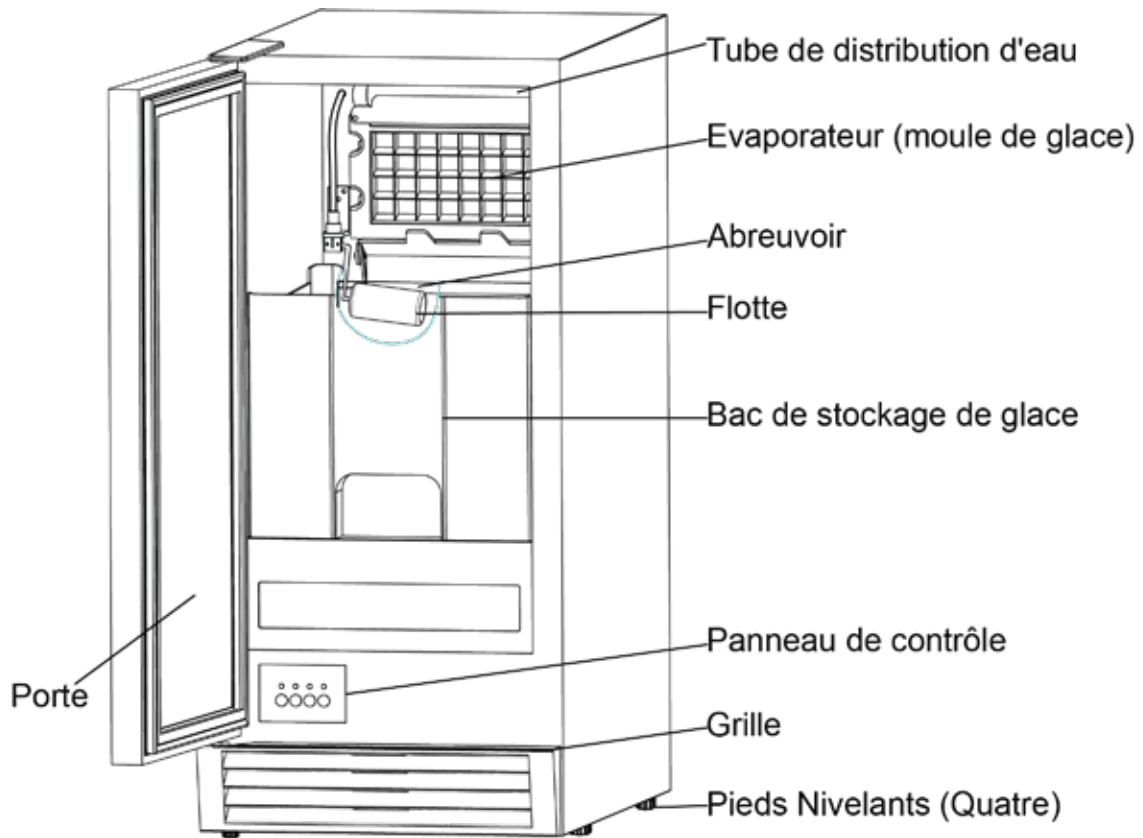
SI VOUS AVEZ BESOIN DE SERVICE

Nous sommes fiers de notre service et nous voulons que vous soyez heureux. Si pour une raison quelconque vous n'êtes pas satisfait du service que vous recevez, voici quelques étapes à suivre pour obtenir de l'aide. FIRST, contacter les gens qui ont réparé votre appareil. Expliquez pourquoi vous n'êtes pas satisfait. Dans la plupart des cas, cela va résoudre le problème.

Ensuite, si vous n'êtes toujours pas satisfait, écrivez tous les détails, y compris votre numéro de téléphone, et l'envoyer à:

**Service Clients
Avanti Produits
10880 NW 30 Street
Miami, FL 33172 USA**

PIÈCES ET CARACTÉRISTIQUES



IMPORTANT INSTRUCTIONS DE SÉCURITÉS

~ **ATTENTION** ~

Pour réduire les risques d'incendie, d'électrocution ou de blessure lors de l'utilisation de votre machine à glaçons, suivez ces précautions de base:

Cette unité est à un usage intérieur - Conservez ces instructions -

- Lisez toutes les instructions avant d'utiliser la machine à glaçons.
- **DANGER ou AVERTISSEMENT:** Risque de piégeage des enfants. Le piégeage des enfants et asphyxie sont toujours du passé. Appareils abandonnés sont toujours dangereux. . . même s'ils « rester assis dans le garage quelques jours ».
- **Avant de jeter votre ancien appareil:** Enlever les portes. Laissez les étagères en place afin que les enfants ne puissent pas facilement grimper à l'intérieur.
- Ne jamais laisser les enfants utiliser, jouer avec, ou ramper à l'intérieur du distributeur de glaçons.
- Ne jamais nettoyer appareil pièces avec des liquides inflammables. Les vapeurs peuvent créer un risque d'incendie ou d'explosion.
- Ne pas entreposer ni utiliser d'essence ou d'autres vapeurs et liquides inflammables à proximité de ce ou tout autre machine à glaçons. Les vapeurs peuvent créer un risque d'incendie ou d'explosion.

INSTRUCTIONS D'INSTALLATION

Avant d'utiliser votre machine à glaçons

- Retirez l'emballage extérieur et intérieur.
- Vérifiez que vous avez toutes les pièces suivantes:
 - 1 Cuillère à glace
 - 1 Approvisionnement en eau Tuyau
 - 1 Eau tuyau de vidange
 - Manuel d'instructions
- Avant de connecter l'appareil à la source d'alimentation, laissez-le tenir debout pendant environ 2 heures. Cela permettra de réduire la possibilité d'un dysfonctionnement dans le système de refroidissement de la manipulation pendant le transport.
- Nettoyer la surface intérieure à l'eau tiède avec un chiffon doux.

 **WARNING** 

RISQUE DE POIDS EXCESSIF

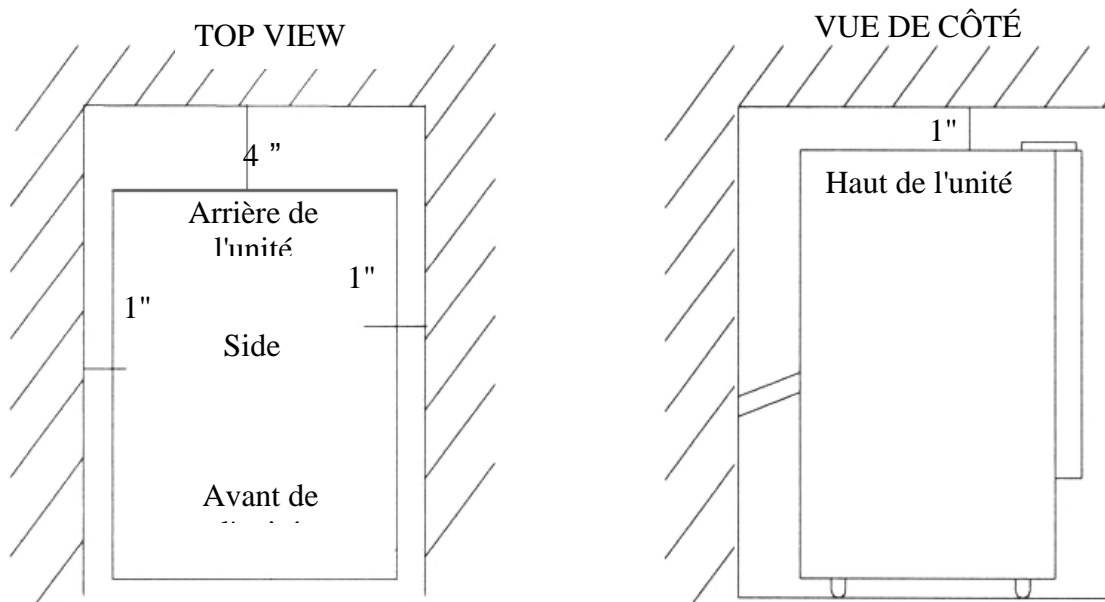
UTILISER DEUX OU PLUS pour déplacer et installer la machine à glaçons

LE NON-RESPECT PEUT PROVOQUER RETOUR OU AUTRE BLESSURE

INSTALLATION DE VOTRE ICEMAKER

- **CE ICEMAKER DOIT ÊTRE INSTALLÉ PAR UN PROFESSIONNEL QUALIFIÉ**
Cette machine à glace DOIT être installé avec des connexions électriques et de l'eau, conformément à tous les codes régionaux et locaux.
- Prévoir un minimum de 1 pouce de l'espace entre le dessus et les côtés de la machine à glaçons et un minimum de 4 pouces à l'arrière, ce qui permet la circulation de l'air pour refroidir le compresseur. Assurez-vous à l'avant de l'appareil est complètement dégagée.
- Placez votre machine à glaçons sur un sol qui est assez solide pour supporter la machine à glaçons lorsqu'elle est complètement chargée. Pour mettre à niveau votre machine à glaçons, régler les pieds à l'avant de la machine à glaçons.
- Localisez la machine à glaçons l'abri du soleil et des sources de chaleur (poêle, chauffage, radiateur, etc.). Lumière directe du soleil peut affecter le revêtement acrylique et sources de chaleur peuvent augmenter la consommation électrique. Les températures ambiantes froides extrêmes peuvent également causer la machine à glaçons ne pas fonctionner correctement.
- Choisissez un endroit bien ventilé avec des températures supérieures à 50 ° F (10 ° C) et au-dessous 100°F (38°C). Cet appareil doit être installé dans une zone protégée contre les intempéries.
- Éviter de placer la machine à glaçons dans les zones humides. Trop d'humidité dans l'air provoquera le gel pour former rapidement sur l'évaporateur nécessitant un dégivrage plus fréquent de la machine à glaçons.

AUTORISATIONS D'INSTALLATION:



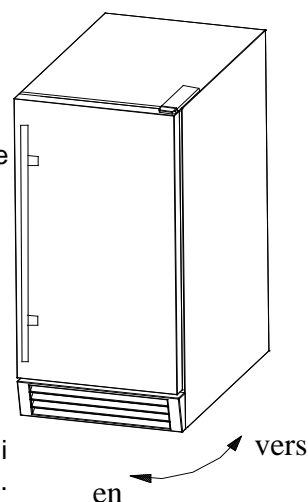
- L'installation de cette machine à glaçons nécessite une entrée d'alimentation en eau froide de ¼" (6.35mm) Un tube en cuivre doux avec une vanne d'arrêt.
- La machine à glaçons nécessite une alimentation continue en eau avec une pression minimale de 15 psi et une pression statique ne doit pas dépasser 80 psi. La température de l'alimentation en eau dans la machine à glace doit être comprise entre 41 ° F (5 ° C) et 90 ° F (32 ° C) pour un fonctionnement correct.
- Il est fortement recommandé d'utiliser un filtre à eau utilisé. Un filtre, si elle est du type approprié, peut éliminer le goût et les odeurs ainsi que des particules. Un peu d'eau est très difficile, et l'eau adoucie peut entraîner des cubes blancs putrides qui collent ensemble. L'eau déionisée est pas recommandé.

Attention

Le fonctionnement de la machine à glace pour une longue période en dehors des plages de températures normales telles que décrites ci-dessus peuvent affecter les performances du produit.

Mise à niveau de la machine à glaçons

Il est important pour la machine à glaçons à être nivelé afin de travailler correctement. Il peut être relevé ou abaissé par rotation des gaines en matière plastique autour de chacun des quatre pieds sur le en bas de la machine. Si vous trouvez que la surface est pas de niveau, tournez les pieds jusqu'à ce que la machine à glaçons devient niveau Vous devrez éventuellement faire plusieurs ajustements niveler. Nous vous recommandons d'utiliser le niveau d'un charpentier vérifier la machine.



3. Placez un niveau de charpentier sur le dessus du produit pour voir si la machine à glaçons est le niveau d'avant en arrière et côté à l'autre.
4. Ajustez la hauteur des pieds comme suit:
Tournez les pieds de nivellement vers la droite pour abaisser ce côté de la machine à glaçons.
Tournez les pieds de nivellement vers la gauche pour soulever ce côté de la machine à glaçons.

IMPORTANT: Une fois que vous êtes prêt à l'installer dans une armoire ou directement sur le sol, vous devez ajuster les pieds au niveau de la machine à glaçons. Si le sol est de niveau, juste tourner les deux pieds avant de toucher le sol.

Inverser la porte battante

Outils nécessaires: tournevis à tête plate, tournevis Phillips

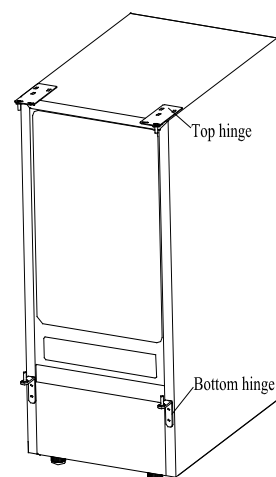
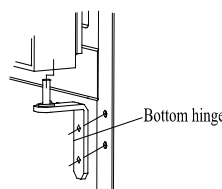
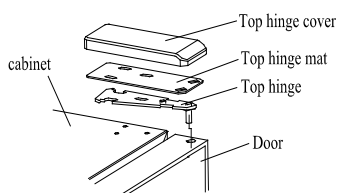
IMPORTANT: Avant de commencer, débranchez la machine à glaçons ou couper le courant.

Pour enlever la porte de charnières:

4. Enlever le couvercle de la charnière supérieure en le poussant vers l'arrière de l'appareil, en le soulevant alors fermé.
5. L'utilisation d'un tournevis Phillips, retirer les vis, puis retirer le mat de la charnière supérieure et de la charnière supérieure. Gardez les pièces ensemble et les mettre de côté.
6. Soulever la porte hors de la charnière inférieure et de régler la porte de côté.

Pour remplacer la porte sur charnières:

8. L'utilisation d'un tournevis à tête plate, retirer les boutons de prise de trous de vis opposé aux charnières de porte, en haut et en bas. Mettre de côté.
9. Retirez le Louvre avant. Mettre de côté.
10. Retirer la charnière inférieure et le placer sur le côté opposé au fond de la porte.
11. Placez la porte sur la charnière inférieure.
12. Aligner la porte sur la charnière inférieure et de remplacer la charnière supérieure et supérieure tapis de charnière.
13. Remettre le couvercle de la charnière supérieure en appuyant vers le bas sur le tapis de charnière et puis en la poussant vers l'avant.
14. Appuyez sur les boutons enfichables dans les trous de vis d'origine.



Connexion électrique

~ ATTENTION ~

Une mauvaise connexion de l'équipement de mise à la terre peut entraîner un risque de choc électrique. Si le cordon d'alimentation de la gamme ou icemaker est endommagé, le remplacer par un centre de service Avanti produits autorisés.

Cette machine à glace doit être correctement mise à la terre pour votre sécurité. Le cordon d'alimentation de la machine à glaçons est équipé d'une fiche à trois broches qui coopère avec la norme trois broches prises murales pour réduire au minimum la possibilité d'un choc électrique.

Ne pas en aucun cas couper ou enlever la troisième broche de terre du cordon d'alimentation fourni. Pour votre sécurité, cette machine doit être correctement mise à la terre.

Cette machine à glace nécessite une prise de terre électrique standard 115/120 volts AC / 60Hz avec trois broches. Avoir la prise murale et le circuit par un électricien qualifié pour vous assurer que la prise est correctement mise à la terre. Quand une prise murale standard 2 broches est rencontrée, il est de votre responsabilité et l'obligation de la faire remplacer par une prise murale à 3 broches correctement mise à la terre.

Le cordon doit être fixé derrière la machine à glaçons et non laissés exposés ou ballants pour prévenir les blessures accidentelles.

La machine à glaçons doit toujours être branchée sur sa propre prise électrique qui a une tension qui correspond à l'étiquette de notation sur la machine à glaçons. Cette offre les meilleures performances et aussi éviter une surcharge des circuits de câblage qui pourrait provoquer un risque d'incendie de surchauffe. Ne jamais débrancher la machine à glaçons en tirant sur le cordon d'alimentation. Toujours saisir fermement la fiche et retirer directement à partir du récipient. Réparer ou remplacer immédiatement tous les cordons d'alimentation qui se sont effilochés ou endommagés. Ne pas utiliser un cordon présentant des fissures ou des dommages à l'abrasion sur sa longueur ou à chaque extrémité. Lorsque vous déplacez la machine à glaçons, veillez à ne pas endommager le cordon d'alimentation.

Cordon d'extension

En raison des risques potentiels pour la sécurité dans certaines conditions, il est fortement recommandé de ne pas utiliser une rallonge avec cette machine à glaçons. Toutefois, si vous devez utiliser une rallonge, il est absolument nécessaire que ce soit une extension UL / CUL-Liste, de terre 3 fils cordon ayant une fiche de mise à la terre et à la sortie et que la capacité électrique du cordon de 115 volts et au moins 10 ampères.

Surge Protector

La plupart des machines à glaçons électriques utilisent une série de panneaux de commande électrique pour fonctionner. Ces panneaux sont très sensibles aux surtensions et pourraient être endommagés ou détruits.

Si la machine à glaçons va être utilisée dans une zone ou si votre ville / pays est sujette à des surtensions / pannes; il est recommandé d'utiliser un protecteur de surtension pour tous les appareils électriques / icemakers que vous utilisez. Le protecteur de surtension que vous sélectionnez doit avoir un bloc de poussée suffisamment élevé pour protéger la machine à glaçons, il est connecté. Si vous avez des questions concernant le type et la taille du parasurtenseur contact nécessaire à un électricien agréé dans votre région.

Les dommages dus aux surtensions ne sont pas considérés comme un fabricant couvert défaut et annulera la garantie du produit.

Approvisionnement en eau

L'alimentation en eau devrait être prête au moment de l'installation. La pression d'alimentation en eau doit être un minimum de 15 psi avec une pression statique pas plus de 80 psi. (Une prise murale directement derrière la machine à glace facilite l'installation.)

IMPORTANT:

4. Toutes les installations doivent être conformes aux exigences du code de plomberie. Installation professionnelle est recommandée.
5. Assurez-vous que les tuyaux ne sont pas pincés ou pliés ou endommagés lors de l'installation.
6. Vérifier les fuites après la connexion.

Outils nécessaires: ½-in. Clé à fourche, un tournevis Phillips

Connexion de la ligne d'eau:

6. **Coupez l'alimentation en eau principale. Allumez le robinet le plus proche assez longtemps pour que la canalisation d'eau.**
7. Trouvez un ½ po. ¾-in. vertical tuyau d'eau froide à proximité du lieu d'installation. La distance doit être inférieure à 6 pieds. Le tuyau d'alimentation en eau fourni avec la machine à glaçons est d'environ 6 pieds de long.
8. Une vanne d'arrêt doit être installée à l'alimentation en eau principale. Si la conduite d'eau a une feuille de tube de cuivre, fixez un ¼" union de compression de diamètre extérieur au tube et installer la vanne.
9. Connecter l'écrou du tuyau d'alimentation en eau au robinet, et l'autre extrémité avec l'entrée d'eau. Serrez fermement à la main, puis un demi-tour avec une clé.
10. Allumez l'alimentation en eau principale et appuyez sur. Vérifier les fuites de connexion d'alimentation en eau. Serrer chaque connexion (y compris la connexion à l'entrée de l'eau).

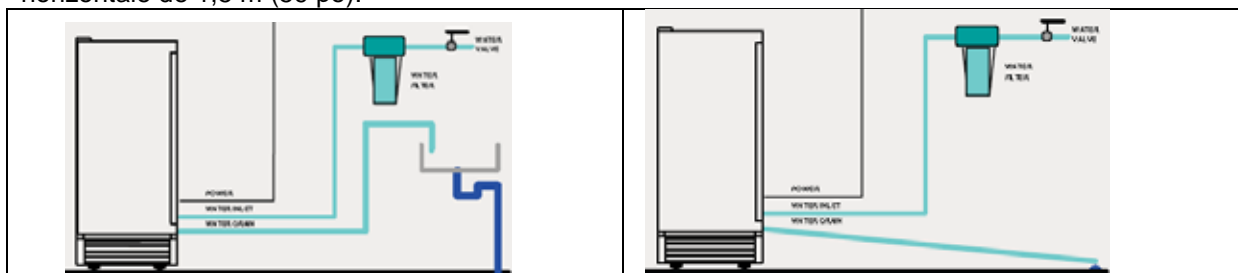
IMPORTANT: Lorsque vous vous connectez le tuyau d'alimentation en eau et le tuyau de vidange, faites attention aux indications de « entrée d'eau » et « Trou de vidange » sur la machine.

Drainer

Vous devez connecter la conduite de drainage avant d'utiliser la machine à glaçons. Suivez les étapes décrites ci-dessous.

Il existe deux types de mode de machine à glace, un qui draine par gravité et un qui possède une pompe de vidange interne.

Cette unité peut pomper de l'eau jusqu'à une élévation de 1,5 m (59 po) ou sur une longueur horizontale de 1,5 m (59 po).



Raccordement du tuyau de vidange:

REMARQUE: Si une conduite de drainage se trouve à proximité de la machine à glaçons, le meilleur choix est de drainer l'eau vers la conduite de drainage à travers le tuyau d'eau de drainage fourni avec la machine à glaçons.

1. Localisez le siphon de sol près de la machine à glaçons. La distance doit être inférieure à 5 pieds car la longueur du long tuyau d'eau de drainage fourni avec la machine à glaçons est d'environ 5 pieds.

2. Trouvez la sortie du drain à l'arrière de la machine à glaçons. Connectez la sortie du drain au tuyau d'évacuation de l'eau et insérez l'autre extrémité du tuyau dans la conduite de drainage.

REMARQUE: Ne jamais laisser le tuyau d'évacuation pendre ou faire une boucle plus haut que le sol de la glace bac de rangement.

3. Toutes les lignes horizontales de canalisations de drainage doivent avoir une chute de ¼ "par pied. Un intervalle d'air sera probablement nécessaire entre le tuyau de drainage de la machine à glaçons et le réceptacle de vidange / déchets. Une conduite d'alimentation avec un siphon en dessous serait acceptable pour le récipient de vidange / déchet. Un drain de sol est également acceptable. Si cela n'est pas possible, l'utilisation d'une pompe à condensat est recommandée.

4. Versez 1 gallon d'eau dans le bac de stockage de glace pour vérifier s'il y a des fuites dans le système de drainage. Serrer toutes les connexions qui fuient.

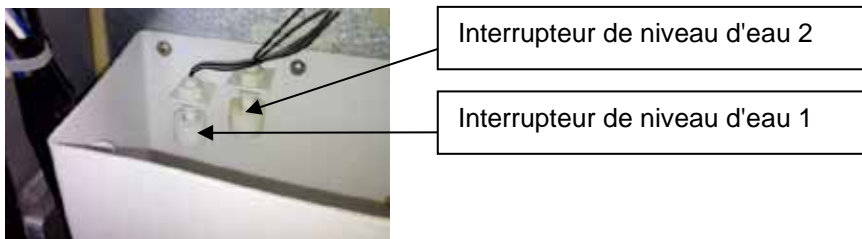
IMPORTANT: Cette machine à glaçons n'est pas un congélateur. Un drainage peu fréquent entraînera un taux de fonte élevé dans le bac de stockage de glace.

Les composants du système de pompe de vidange d'eau sont:

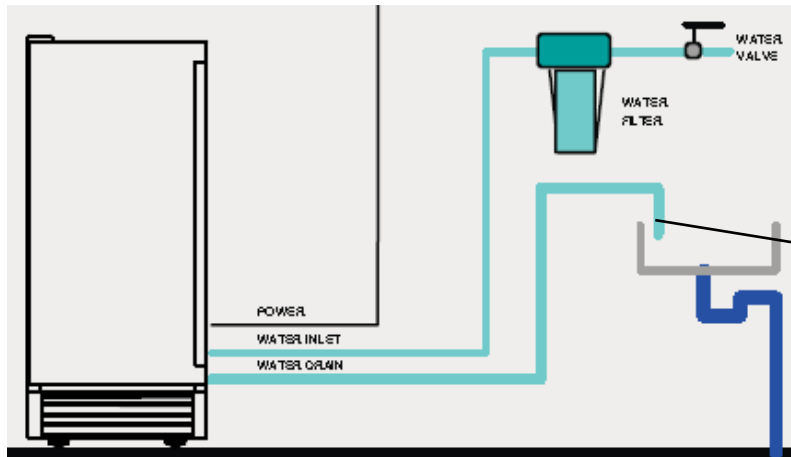
- Réservoir d'eau, carte de circuit imprimé et commutateur de niveau d'eau 1, 2
- Pompe de vidange d'eau
- OPÉRATION

Toute l'eau provenant du trop-plein et de la glace fondue est collectée dans le réservoir d'eau.

Dès que l'eau dans le réservoir atteint le niveau maximum, l'interrupteur de niveau d'eau 1 se ferme, transmettant un courant à basse tension à la carte de circuit imprimé.



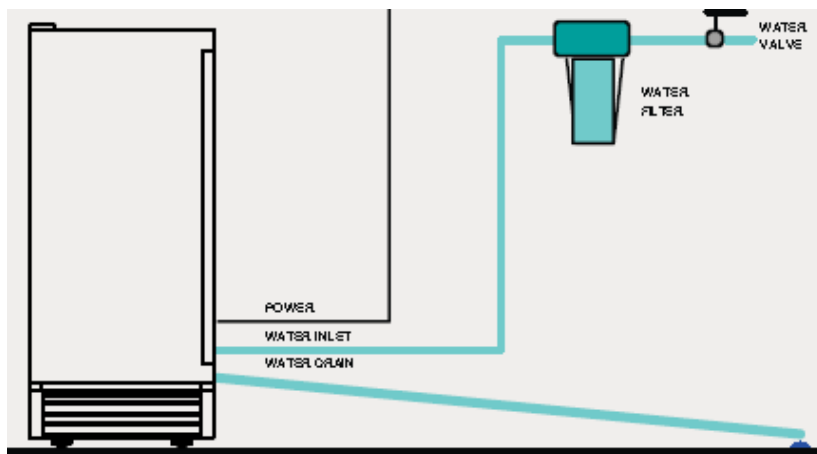
- La carte de circuit imprimé active la pompe de vidange pendant 20 secondes, pompant la majeure partie de l'eau contenue dans le réservoir.
- L'eau peut être pompée jusqu'à 1,5 m (59 ") ou



NOTE:

La sortie du tuyau d'évacuation doit être surélevée par rapport à la surface de l'eau pour empêcher l'eau drainée de refluer dans le réservoir d'eau.

sur une longueur horizontale de 1,5 m (59 ").

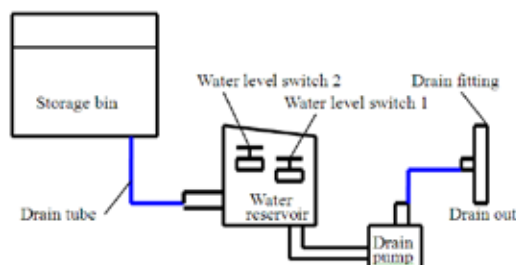


ATTENTION!

Si l'avertisseur sonore retentit, fermez la machine à glaçons et l'alimentation en eau, retirez toute la glace du bac de stockage et essuyez toute eau qui aurait pu déborder. Vérifiez s'il y a de l'eau dans le bac à l'arrière de l'appareil; s'il n'y a pas d'eau, la pompe de drainage risque de ne pas recevoir la quantité d'énergie appropriée. Vérifiez la source d'alimentation. Si le problème peut être résolu, rallumez l'appareil. Vérifiez également qu'aucune des lignes d'eau n'est pliée. Si le problème persiste, contactez le service clientèle.

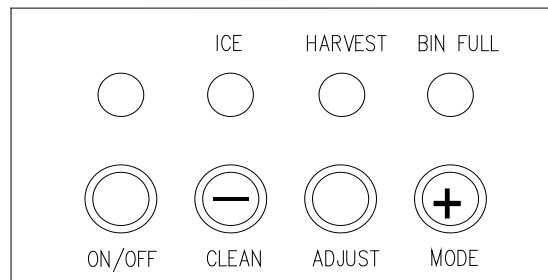
- Si le contacteur de niveau d'eau 2 se ferme, transmettant un courant basse tension à la carte PC, la carte PC déclenche l'avertisseur sonore en vous informant que la pompe de vidange, le contacteur de niveau d'eau ou le tube de vidange sont peut-être défectueux.

Diagramme schématique



UTILISATION DE VOTRE ICEMAKER

CONTROL PANEL



Panneau de configuration: Description des boutons et voyants lumineux:

Signaux lumineux:

6. **BIN COMPLET (ROUGE): Bin est plein**

Lorsque ce voyant est allumé, le bac de stockage de glace est plein de glace ou il y a quelque chose bloqué le capteur bac plein. L'unité arrête le processus de fabrication de glace jusqu'à ce que le niveau de glace soit réduit ou l'objet bloquant le capteur est retiré.

Lorsque les cubes de glace sont enlevés et le capteur bac plein est effacé; le témoin lumineux bin plein clignote pendant 3 minutes, l'appareil redémarre et revient au processus de fabrication de glace.

7. **ICE (vert): Processus de fabrication.**

Lorsque ce voyant est allumé, l'appareil fonctionne dans le processus de fabrication de glace qui est commandé par un capteur de température sur l'évaporateur. Lorsque le voyant lumineux indicateur vert, l'appareil fonctionne pour produire de la glace et est basée sur un temporisateur fixe.

8. **HARVEST (jaune): processus de récolte de glace.**

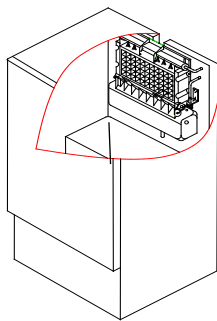
Lorsque ce voyant est allumé, l'appareil est en train de récolter la glace qui a été produit. La machine continuera à faire et de la glace de la récolte jusqu'à ce que le capteur de bac plein fait remarquer que le bac est plein ou jusqu'à ce que l'appareil soit mis hors tension ou le mode de système est modifié en appuyant sur la touche « MODE ».

9. **Bouton Mode:** Ce bouton est utilisé principalement pour le démarrage rapide du processus de fabrication de glace ou pour les problèmes de service / réparation. Vous pouvez « démarrage rapide » le système en appuyant sur le bouton « MODE » lors de la première branché, le pouvoir a été perdu ou si l'appareil a été mis hors tension pendant une période de temps.

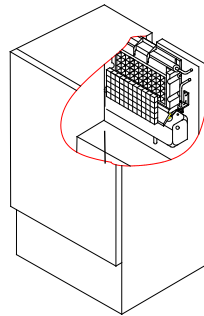
10. **Bouton de réglage:** Ce bouton est utilisé principalement pour le service et ou pour sélectionner la taille des cubes de glace. Pour sélectionner les cubes de glace, appuyez et maintenez le bouton pendant environ 3 secondes, le « RÉCOLTE » voyant lumineux (jaune) s'allume et le système

entrera dans la taille de la glace mode de sélection. Relâchez le bouton une fois que la lumière récolte (jaune) clignote et appuyez simplement sur le (+) ou (-) pour sélectionner des cubes plus ou moins, l'appareil est livré de l'usine mis aux cubes de taille normale.

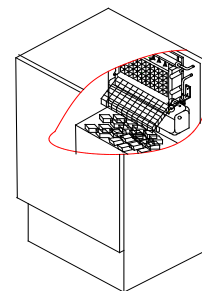
UTILISATION DE VOTRE ICE-MAKER



étape de fabrication de



Stade de la récolte de



Bin étape complète

8. Allumez le robinet d'eau.
9. Appuyez sur le bouton ON / OFF.
10. Au bout de 3 minutes, la machine passe automatiquement à l'étape de fabrication de glace, et le bruit de l'eau qui coule sera entendu. (Le témoin d'ICE (VERT) clignote pendant ce processus).
11. Appuyez sur le bouton MODE pour démarrer rapidement le processus de fabrication de glace et laisser le bac à eau pour commencer à remplir automatiquement. (Le témoin d'ICE (VERT) clignote pendant ce processus).
12. Lorsque le lot de glace a été entièrement formé, la glace sera automatiquement récoltée et déposée dans le bac de stockage de glace. (Le voyant HARVEST (JAUNE) clignote pendant ce processus).
13. Lorsque le bac de stockage de glace est plein, la feuille de cubes ne tombera pas complètement et tiendra l'ouverture du capteur bac plein. La machine cessera de fabriquer automatiquement la glace. (L'indicateur BIN-pleine lumière (ROUGE) clignote pour indiquer que le bac est plein ou le capteur est bloqué.)
14. L'unité va commencer à faire de la glace à nouveau après des cubes de glace sont enlevés ou lorsque le capteur de bac plein son grand retour à la position de fonctionnement. (L'indicateur BIN-pleine lumière (RED) continuera à clignoter pendant environ 3 minutes, puis le système commencera automatiquement le processus de fabrication de glace à nouveau.)

IMPORTANT:

- *Bien que l'appareil ait été testé et nettoyé à l'usine, en raison de transit à long terme et le stockage, le premier lot de cubes doit être mis au rebut.*
- *Ne jamais couper l'alimentation en eau du robinet lorsque la machine à glaçons fonctionne.*
- *Ne touchez jamais l'évaporateur lorsque l'appareil est en marche!*

- *Pour éviter que la glace de fondre et d'assurer la formation de glace appropriée, garder la porte fermée, sauf lors du retrait de la glace du bac.*

Taille Guide d'ajustement:

3. Appuyez et maintenez enfoncé le bouton « Régler » pendant environ 3 secondes. L'appareil passe en mode d'ajustement à la taille de la glace. La LED « HARVEST » (jaune) clignote en continu tandis que la taille de la glace est sélectionnée. Relâchez le bouton lorsque le voyant clignote en permanence pour régler la taille de la glace.
4. Dans le mode de sélection de la taille de la glace, appuyez sur la « Clean » (-) ou sur le bouton « Mode » (+) pour la taille de la glace désirée.

Plus petit réglage de la glace:

En appuyant sur la « Clean » (-) bouton, vous pouvez sélectionner la taille des cubes SMALL de glace. La LED « ICE » (VERT) clignote lorsque vous sélectionnez la plus petite taille de la glace.

Agrandir réglage de la glace:

En appuyant sur le bouton « Mode » (+), vous pouvez sélectionner la grande taille des cubes de glace. La LED « BIN FULL » (RED) clignote lorsque vous sélectionnez la taille de la glace plus grande.

Au bout de 10 secondes sans aucune opération, l'appareil retourne au mode précédent.

REMARQUE:

- Si pendant le mode de réglage de la taille de la glace le « BIN FULL », « ICE » et « RÉCOLTE » LEDS clignotent à la fois; cela indique que l'appareil est dans le réglage normal (au milieu) de la taille de la glace.
- Lorsque la machine est dans la phase de nettoyage ou le stade de glace complète, le mode de réglage de la taille de la glace ne peut être consulté

COMMENT LA GLACE MAKER ICE RÉALISE

Réglez le bouton ON / OFF sur la position ON.

La machine passe automatiquement à la phase de fabrication de glace.

L'unité passera par deux cycles distincts lors de la production de votre glace. Le premier cycle est le « gel » où la glace est effectivement produite et la seconde est la « moisson » où la glace est tombée dans le bac à glaçons.

Le cycle de congélation se produit lorsque l'eau à la surface de l'évaporateur. Le cycle de récolte est quand la glace est libérée et l'eau pénètre dans la machine. Un cycle complet dure environ 20 minutes, mais cela dépend des conditions de température et de fonctionnement.

Gel: Pendant le cycle de congélation est de pompage du compresseur frigorifique, le moteur du ventilateur soufflant de l'air, et la pompe à eau est en circulation de l'eau. Lorsque le lot de glace a été entièrement formé, la machine à glaçons arrête le cycle de gel et le cycle de récolte commencera.

Récolte: Au cours du cycle de récolte, le compresseur fonctionne toujours, mais la pompe à eau est arrêtée. La vanne de gaz chaud débouche, en détournant le gaz réfrigérant chaud dans l'évaporateur. Le gaz réfrigérant chaud réchauffe l'évaporateur, ce qui provoque les cubes de glisser comme une unité de l'évaporateur et dans le bac de stockage. Le cycle de congélation redémarre lorsque tous les cubes ont été récoltés.

Comment la machine utilise l'eau

La machine à glaçons commence par une charge fixe d'eau contenue dans la cuve d'eau. Comme l'eau coule vers la surface de l'évaporateur de congélation, la partie de l'eau qui ne contient pas d'impuretés minérales gels et des bâtonnets dans les moules à glaçons. L'eau contenant des impuretés retombe dans le creux de l'eau. Au cours du processus de fabrication de glace, de l'eau fraîche pénètre dans le bac à eau en continu que l'eau gèle dans le creux de façon continue dans l'évaporateur.

Les bruits normaux

Votre nouvelle machine à glaçons peut faire des sons qui ne sont pas familiers. La plupart des nouveaux sons sont normaux. Les surfaces dures comme le plancher et les murs peuvent faire les sons plus forts qu'ils ne le sont en réalité. La liste suivante décrit les sons qui pourraient être nouveau pour vous et ce qui peut être la cause.

- Des vibrations sonores peuvent provenir de l'écoulement du réfrigérant ou de la ligne d'eau. Articles stockés sur le dessus de la machine à glaçons peut aussi faire des bruits dus aux vibrations.
- Le compresseur à haut rendement peut faire une palpitation ou son aigu.
- L'eau courante peut faire un son éclaboussant.
- Vous pouvez entendre l'air forcé sur le condenseur par le ventilateur du condenseur.
- Au cours du cycle de récolte, vous pouvez entendre le bruit des cubes de glace tomber dans le bac de stockage de glace.

ENTRETIEN

Nettoyage La machine à glaçons

CAUTION

Un nettoyage périodique et l'entretien adéquat assureront l'efficacité, les performances optimales et une longue vie. Les intervalles d'entretien indiqués sont basés sur des conditions normales. Vous pouvez raccourcir les intervalles si vous avez des animaux, ou il y a d'autres considérations particulières.

Note importante:

Ne jamais garder quoi que ce soit dans le bac de stockage de glace qui ne sont pas de glace: des objets comme des bouteilles de vin et la bière sont non seulement insalubre, mais les étiquettes peuvent glisser et boucher le drain.



WARNING

Avant de procéder à des opérations de nettoyage et d'entretien, assurez-vous que la ligne d'alimentation de l'appareil est déconnectée et la ligne d'eau est coupée.

Nettoyage de l'extérieur

La porte et l'armoire peuvent être nettoyées avec un détergent doux et de l'eau chaude tels que 1 oz. de liquide de lavage de vaisselle mélangé avec 2 litres d'eau chaude. Ne pas utiliser de produits nettoyants à base de solvants ou abrasifs. Utilisez une éponge douce et rincer à l'eau claire. Essuyez avec une serviette propre et douce pour éviter les traces d'eau.

Si le panneau de porte est en acier inoxydable, il peut se décolorer lorsqu'il est exposé au chlore gazeux et de l'humidité. Nettoyez l'acier inoxydable avec un détergent doux et de l'eau chaude et un chiffon humide. Ne jamais utiliser un agent de nettoyage abrasif.

Nettoyage de l'intérieur

Le bac de stockage de glace doit être désinfecté de temps en temps. Nettoyer le bac à eau avant que la machine à glaçons soit utilisée première fois et réutilisé après l'arrêt pendant une longue période de temps. Il est généralement pratique pour assainir le creux après que le système de fabrication de glace a été nettoyé, et le bac de stockage de glace est vide.

8. Couper l'alimentation de l'appareil.
9. Ouvrez la porte et sortez le bac de stockage de glace amovible. Avec un chiffon propre et essuyer l'intérieur de l'unité et le bac à glace avec une solution désinfectante faite de 1 once d'eau de javel ou du chlore et 2 gallons d'eau chaude (95 ° F - 115 ° F) de l'eau.
10. Retirer le tuyau de vidange de la cuve d'eau pour évacuer toute l'eau.
11. Rincez abondamment à l'eau claire.
12. Après vidange de toute l'eau, remettre le tuyau d'évacuation de l'eau jusqu'à l'emplacement d'origine.
13. Placez le bac de stockage de glace à l'intérieur de l'appareil.
14. Remettre le courant à l'appareil.

La cuillère à glace doivent être lavés régulièrement. Lavez-le comme tout autre récipient alimentaire.

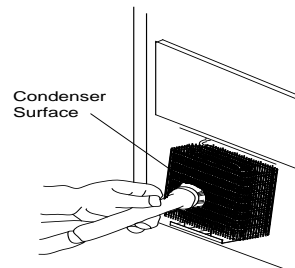


Emplacement droite du tuyau de vidange

Nettoyage du condenseur

Un condenseur sale ou bouché empêche une bonne circulation de l'air, réduit la capacité de fabrication de glace, et provoque plus que des températures de fonctionnement recommandées qui peuvent conduire à l'échec du composant. Avoir le condenseur nettoyé au moins une fois tous les six mois.

6. Débranchez la machine à glaçons ou couper le courant.
7. Retirez délicatement la persienne inférieure avant.
8. Enlever la saleté et les peluches du condenseur et compartiment avec l'accessoire brosse de nettoyage d'a vacuum.
9. Réassembler la persienne inférieure avant.
10. Branchez la machine à glaçons ou rétablir le courant.



Nettoyage du tube de distribution d'eau

Lorsque vous trouvez les cubes de glace sont incomplètement formés ou la sortie est faible, le tube de distribution d'eau peut être bloquée. Éteignez le bouton d'alimentation, doucement retirer le tube de distribution d'eau, de localiser les trous dans le tube de distribution et l'utilisation d'un objet pointu, comme un cure-dent pour draguer les trous. Ensuite, placez le tube de distribution de l'eau à sa position d'origine. Si le tube est mal bloqué, nettoyez-le comme suit:

7. Couper l'alimentation en eau
8. Déconnecter le tuyau de l'eau à partir du tube de distribution.
9. Doucement prendre le tube de distribution.
10. Avec une brosse, Nettoyer le tube avec une solution diluée d'eau chaude et un détergent doux tel que liquide vaisselle. Après élimination de la saleté et les peluches de la surface, rincer le tube avec de l'eau propre.

11. Remplacer le tube de distribution.
12. Rebranchez l'alimentation en eau.

Le nettoyage du système de fabrication de glace (BOUTON CLEAN)

Le nettoyeur de machine à glace contient des acides.

Ne pas utiliser ou mélanger avec d'autres produits de nettoyage à base de solvants.

Utiliser des gants en caoutchouc pour protéger les mains. Lisez attentivement les consignes de sécurité importantes sur le récipient du nettoyeur de machine à glace.

Jeter le premier lot de glace produite après le nettoyage.

Les minéraux qui sont retirés de l'eau au cours du cycle de congélation finiront par former un disque, le dépôt écailleux dans le système d'eau. Nettoyage du système permet régulièrement éliminer l'accumulation de tartre minéral. Combien de fois pour nettoyer le système dépend de la dureté de l'eau est ou comment votre filtration efficace peut être. Avec l'eau dure de 15 à 20 grains / gal. (4 à 5 grains / litre), vous devez nettoyer aussi souvent qu'une fois le système tous les 6 mois.

12. Assurez-vous que toute la glace est de l'évaporateur. Si la glace est formée, attendez que le cycle est terminé, puis appuyez sur le bouton ON / OFF de la machine sur le panneau de commande.
13. Retirer tous les glaçons du bac de stockage.
14. Gardez la machine à glaçons connecté à l'alimentation en eau. Verser 8 oz. de glace Nickel-Safe Maker Cleaner Solution dans le bac à eau. Appuyez ensuite sur le bouton ON / OFF et le bouton CLEAN, initiant le cycle de lavage. La machine fonctionnera en mode automatique propre.
15. Prévoyez 30 minutes pour un bon nettoyage. Après le nettoyage, appuyez à nouveau sur le bouton ON / OFF. Utiliser un tuyau de vidange sur le devant de la cuve d'eau pour évacuer les eaux usées dans un récipient convenable.

REMARQUE: Ne pas écouler les eaux usées à l'intérieur de l'armoire.

16. Répétez les étapes 3 et 4 (sans nettoyage machine à glaçons Solution) trois fois pour rincer le système de fabrication de glace à fond.
17. Préparer une solution désinfectante en 1 once d'eau de Javel et 2 litres d'eau chaude (95 ° F à 115 ° F). Essuyez l'ensemble bac à l'intérieur et à l'extérieur, couvrant toute la surface des murs.
18. Remplir un flacon pulvérisateur avec la solution désinfectante et pulvériser tous les coins et les bords, en veillant à couvrir toutes les surfaces avec la solution.
19. La solution à être en contact pendant au moins 3 minutes, puis sèche.
20. Répétez l'étape 5 pour rincer le système de fabrication de glace une fois de plus.
21. Appuyez à nouveau sur le bouton ON / OFF. La machine retourne au mode de fabrication de glace régulière.
22. Jeter le premier lot de glace.

Panne électrique

La plupart des pannes de courant sont corrigées en quelques heures et ne devraient pas affecter la température de votre machine à glaçons si vous réduisez le nombre de fois que la porte est ouverte. Si la puissance va être hors service pendant une longue période de temps, vous devez prendre les mesures appropriées pour protéger vos aliments.

Temps de vacances

Courtes vacances: Laissez l'appareil fonctionner pendant les vacances de moins de trois semaines.

Longues vacances: Si la machine à glaçons ne sera pas utilisée pendant plusieurs mois, retirez toute la glace et débranchez le cordon d'alimentation. Nettoyer et sécher soigneusement l'intérieur. Pour prévenir les odeurs et les moisissures, laisser la porte légèrement ouverte: blocage ouverte si nécessaire

Déplacement de votre machine à glaçons

- Retirez tous les aliments.
- Fixez solidement vers le bas tous les éléments à l'intérieur de votre appareil en vrac.
- Tournez les vis de réglage à la base pour éviter tout dommage.
- Collez les portes fermées.
- Assurez-vous que l'appareil reste en position verticale pendant le transport.

Préparation de la machine à glaçons pour le stockage à long terme

Si la machine à glaçons n'était pas utilisée pendant une longue période, ou doit être déplacé vers un autre endroit, il serait nécessaire de drainer le système d'eau.

8. Couper l'alimentation en eau à la source principale d'eau.
9. Déconnecter la ligne d'alimentation en eau à partir de l'entrée d'eau.
10. Couper l'alimentation électrique à la source principale d'alimentation électrique.
11. Sortez le bac de stockage de glace pour enlever toute la glace restante et de l'eau. Sécher le bac.
12. Retirer le tube de drainage de la cuvette de l'eau pour drainer toute l'eau.
13. Laissez la porte ouverte pour permettre la circulation et de prévenir la moisissure.
14. Laisser la ligne d'alimentation en eau et le cordon d'alimentation est coupée avant d'être prêt à réutiliser.

IMPORTANT:

- *Ne touchez pas la prise d'alimentation lorsque vos mains sont mouillées.*
- *Ne jamais débrancher l'appareil en tirant sur le cordon. Attrapez la fiche et tirez fermement.*

L'économie d'énergie

- L'appareil doit être situé dans la zone la plus fraîche de la pièce, loin des appareils produisant de la chaleur ou des conduits de chauffage et de lumière directe du soleil.

DÉPANNAGE

Avant d'appeler

Si l'appareil semble mal fonctionner, lisez la section FONCTIONNEMENT de ce manuel d'abord. Si le problème persiste, consultez le Guide de dépannage sur les pages suivantes. Certains des problèmes mentionnés dans le Guide peuvent être résolues sans un appel de service.

Problème	Cause possible	Correction probable
La machine ne fonctionne pas.	La machine à glaçons est débranchée.	Branchez la machine à glaçons dans.
	Le fusible est grillé.	Remplacer le fusible. Si cela se produit à nouveau, appelez le service pour vérifier un court-circuit dans l'unité.
	Le bouton d'alimentation de la machine à glaçons est réglé sur OFF.	Mettez le bouton d'alimentation de la machine à glaçons sur ON.
	Le bac de stockage de glace est plein de glace.	Retirer des cubes de glace. Assurez-vous que la sonde de glace complète est libre de glace.
L'eau ne se nourrit pas après démarrage de la machine.	Le robinet d'alimentation en eau est coupé.	Ouvrez le robinet d'alimentation en eau.
	Le tuyau d'alimentation en eau ne soit pas correctement connecté.	Reconnecter le tuyau d'alimentation en eau.
La machine fait la glace, mais bin ne remplit pas avec de la glace.	Le condenseur peut être sale.	Nettoyer le condenseur.
	Le débit d'air à la machine à glaçons peut être obstruée.	Vérifiez l'installation.
	La température ambiante et la température de l'eau est élevé, ou de l'unité se trouve à proximité d'une source de chaleur.	Vérifiez l'installation.
De l'eau sort de l'unité.	Un peu d'eau tombe sur le sol lorsque vous ouvrez la porte pour enlever les glaçons du bac de stockage.	Condensation normale sur la porte ou un peu d'eau avec de la glace. Faites attention lorsque vous prenez la glace.
	Raccordement de l'alimentation en eau coule.	Serrer raccord. Consultez la section Connexion de la ligne d'eau.
	Tuyau de vidange plus élevé que la sortie de vidange.	Inferieur tuyau de vidange.

Les cubes sont partiellement formés ou sont blancs sur le fond.	Pas assez d'eau dans le bac à eau.	Vérifiez si la pression d'alimentation en eau est inférieure à 15 psi.
		Vérifier l'alimentation en eau ou filtre peut être limité.
		Vérifier une fuite d'eau au creux de l'eau.
Le bruit lors du fonctionnement	Les pieds ne sont pas nivelés et verrouillés.	Niveau et verrouiller les pieds. Voir Mise à niveau de la machine à glaçons.
	Certains sons sont normaux.	Voir Sons normaux.
La machine à glaçons arrête soudainement tout en glace.	L'électricité est coupée.	Rebranchez la ligne d'alimentation.
	La température ambiante est hors de la fourchette indiquée.	Coupez l'électricité et laisser la machine à glaçons débranché jusqu'à ce que la température revienne dans la plage indiquée.
	Le bac de stockage de glace est plein de glace.	Retirer des cubes de glace; assurez-vous que la sonde de glace complète est libre de glace.
Le corps de la machine à glaçons est électrifié	La ligne de masse ne se trouve pas dans la prise.	Utilisez une prise répondant aux exigences de mise à la terre.
Mise à l'échelle se produit fréquemment à l'intérieur de la machine.	Le niveau de dureté de l'eau est trop élevé.	Installer un dispositif d'adoucissement de l'eau en face de l'entrée d'eau.
Les fuites d'eau du bac de stockage de glace	Le trou de vidange en dessous du bac de stockage de glace est bloqué.	Retirez le bac de stockage de glace et nettoyez le trou de vidange.
	Le tuyau d'évacuation est plié ou mal placé plus haut que le plancher de la caisse de stockage de glace.	Vérifier le tuyau de vidange pour être de l'eau que peut être évacuée sans entrave.

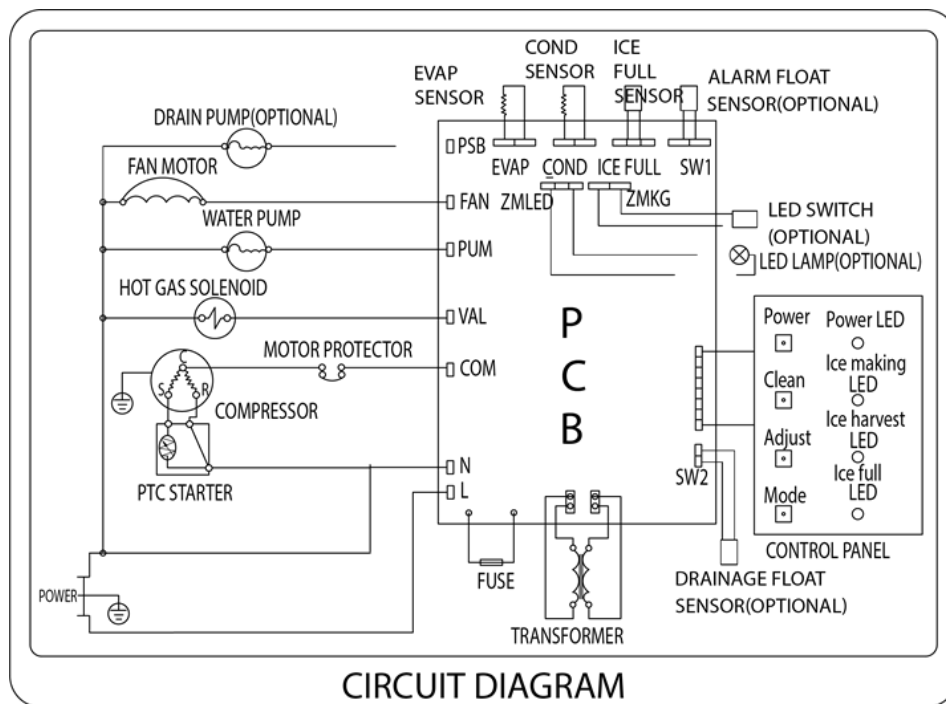
SERVICE POUR VOTRE APPAREIL

Nous sommes fiers de notre organisation de service à la clientèle et le réseau de techniciens de services professionnels qui offrent des services sur vos appareils Avanti. Avec l'achat de votre appareil Avanti, vous pouvez avoir la certitude que si vous avez besoin d'informations ou de l'aide de l'équipe de service à la clientèle Avanti Products sera là pour vous. Appelez-nous sans frais.

AVANTI PRODUITS SERVICES CLIENTS

Information produit 800-323 5029	Quelles que soient vos questions sur nos produits, l'aide est disponible.
Les commandes de la pièce 800-220 5570	Vous pouvez commander des pièces et accessoires qui seront livrés directement à votre domicile. Vous pouvez commander ces articles par chèque personnel, mandat, Master Card ou Visa.
In-Home Repair Service 800-220 5570	Un centre de service Avanti Produits autorisé fournira un service de réparation expert, prévue à un moment qui vous convient. Nos réparateurs formés connaissent votre appareil à l'intérieur et à l'extérieur.

SCHEMA CABLAGE



VOS GARANTIE AVANTI PRODUCTS	Staple votre reçu de vente ici. Preuve de la date d'achat originale est nécessaire pour obtenir un service sous garantie.
CE QUI EST COUVERT - GARANTIE LIMITÉE D'UN AN	
Avanti Products garantit que le produit est exempt de défauts de matériaux et / ou de fabrication pour une période de douze (12) mois à compter de la date d'achat par le propriétaire initial. La durée commence à courir à la date d'achat, et ne sera pas retardée, restreinte, prolongée ou suspendu pour quelque raison que ce soit, sauf si décrit en détail dans le document de garantie. Pendant un an à compter de la date d'achat par le propriétaire d'origine, les produits Avanti seront, à sa discrétion, réparer ou remplacer toute partie du produit qui se révèle être un défaut de matériau ou de fabrication dans une utilisation normale. Avanti Products vous fournira un produit raisonnablement semblable nouveau ou remis à neuf. Au cours de cette période Avanti Products fournira toutes les pièces et la main-d'œuvre nécessaires pour corriger ces défauts gratuitement, aussi longtemps que le produit a été installé et utilisé conformément aux instructions écrites dans ce manuel. En usage locatif ou commercial, la période de garantie est de 90 jours. Tous les appareils Avanti de 4,2 pieds cubes la capacité ou moins doivent être traduits / envoyé au centre de service de l'appareil pour la réparation.	
DEUXIÈME LIMITÉE À LA CINQUIÈME ANNÉE GARANTIE	
Pour la deuxième à la cinquième année à partir de la date d'achat originale, Avanti Products fournira un compresseur de remplacement gratuit en raison d'un échec. Vous êtes responsable de la main-d'œuvre et de fret de service. En usage locatif ou commercial, la garantie du compresseur est limitée à un an et neuf mois. Les coûts impliqués pour déplacer le produit au centre de service et de retour à la maison de l'utilisateur, comme peut-être nécessaire, sont à la charge de l'utilisateur.	
EXCLUSIONS DE LA GARANTIE / NON COUVERTS:	
La couverture de la garantie décrite ici exclut tous les défauts ou les dommages qui ne sont pas la faute directe de Avanti Products, y compris, sans limitation, un ou plusieurs des éléments suivants:	
<ul style="list-style-type: none"> • Un non-respect de tout État applicable, local, ville, ou du comté électricité, plomberie et / ou des codes du bâtiment, des règlements ou des lois, y compris le défaut d'installer le produit en stricte conformité avec le feu et les codes du bâtiment et les règlements locaux. • Les forces externes, élémentaires et / ou l'environnement et les facteurs, y compris, sans s'y limiter, la pluie, le vent, le sable, les inondations, les incendies, les coulées de boue, des températures de congélation, l'humidité excessive ou à une exposition prolongée à l'humidité, la foudre, les surtensions, les défaillances structurelles entourant l'appareil, et les actes de Dieu. 	
<ul style="list-style-type: none"> • Les pertes de contenu de la nourriture ou d'autres contenus en raison de la détérioration. • Les dommages accessoires ou consécutifs • Pièces et coûts de main-d'œuvre pour les éléments suivants ne seront pas considérés comme garantie: <ul style="list-style-type: none"> • Portes évaporateurs, ressorts de la porte, et / ou des cadres. • Panneaux intérieurs de portes, des étagères de porte, rails de porte, et / ou supports de porte. • Les ampoules et / ou boîtier en plastique. • Doublures d'armoires en plastique. • Poncture évaporateur annule la garantie sur le système scellé complet. • Les frais de transport et de manutention associés au remplacement de l'unité. 	<ul style="list-style-type: none"> • Les réparations effectuées par réparateurs non autorisés. • Les appels de service qui sont liés à des problèmes externes, tels que l'abus, l'alimentation électrique inadéquate, les accidents, les incendies, les inondations, ou tout autre acte de Dieu. • Une panne du produit si elle est utilisée pour autre chose que son intention but. • La garantie ne couvre pas en dehors de la Continental USA. • Surtaxes, y compris mais sans s'y limiter, toute après heure, les appels week-end, ou de services de vacances, les péages, les frais de voyage de convoyage ou les frais de kilométrage pour les appels de service dans les régions éloignées.
En aucun cas, Avanti Products toute responsabilité ou responsabilité pour les dommages aux biens environnants, y compris les armoires, les planchers, les plafonds, et d'autres structures et / ou des objets autour du produit. Sont également exclus de cette garantie sont les égratignures, les entailles, les bosses mineures, et d'autres dommages esthétiques sur les surfaces externes et les parties exposées; Produits dont les numéros de série ont été modifiés, effacés ou supprimés; visites de service pour l'éducation à la clientèle, ou des visites où il n'y a rien de mal avec le produit; correction des problèmes d'installation (vous êtes seul responsable de toute structure et réglage pour le produit, y compris tous les systèmes électriques, de plomberie et / ou d'autres installations de raccordement, pour le bon plancher / fondation, et pour toute modification, y compris sans s'y limiter les armoires, les murs, les planchers, les étagères etc., ainsi que la remise à zéro des disjoncteurs ou fusibles.	
HORS DE LA GARANTIE DU PRODUIT	
Avanti Products est soumis à aucune obligation, en droit ou autrement, de vous fournir toutes les concessions, y compris les réparations, les pro-taux, ou le remplacement du produit, une fois la garantie expirée.	
GARANTIE - REFRIGERATION - COMPRESSEUR	

Registration Information

Thank you for purchasing this fine Avanti product. Please fill out this form and return it to the following address within 100 days from the date of purchase and receive these important benefits:

**Avanti Products, LLC.
P.O.Box 520604 – Miami, Florida 33152**

Protect your product:

We will keep the model number and date of purchase of your new Avanti product on file to help you refer to this information in the event of an insurance claim such as fire or theft.

Promote better products:

We value your input. Your responses will help us develop products designed to best meet your future needs.

------(detach here)-----

Avanti Registration Card

Name			Model #		Serial #	
Address			Date Purchased		Store / Dealer Name	
City	State	Zip	E-mail Address			
Area Code		Phone Number	Occupation			
Did You Purchase An Additional Warranty			As your Primary Residence, Do You:			
<input type="checkbox"/> Extended			<input type="checkbox"/> Own		<input type="checkbox"/> Rent	
<input type="checkbox"/> None			Your Age:			
Reason for Choosing This Avanti Product: Please indicate the most important factors That influenced your decision to purchase this product:			<input type="checkbox"/> under 18		<input type="checkbox"/> 18-25	<input type="checkbox"/> 26-30
			<input type="checkbox"/> 31-35		<input type="checkbox"/> 36-50	<input type="checkbox"/> over 50
			Marital Status:			
			<input type="checkbox"/> Married		<input type="checkbox"/> Single	
<input type="checkbox"/> Price			Is This Product Used In The:			
<input type="checkbox"/> Product Features			<input type="checkbox"/> Home		<input type="checkbox"/> Business	
<input type="checkbox"/> Avanti Reputation			How Did You Learn About This Product:			
<input type="checkbox"/> Product Quality			<input type="checkbox"/> Advertising			
<input type="checkbox"/> Salesperson Recommendation			<input type="checkbox"/> In-Store Demo			
<input type="checkbox"/> Friend / Relative Recommendation			<input type="checkbox"/> Personal Demo			
<input type="checkbox"/> Warranty						
<input type="checkbox"/> Other: _____						
Comments:						

RIM49U3S-IS 08/15/2019

PRINTED IN CHINA