

# SCB316 | ALITO Collection



## Wall Mount

We've learned that sometimes the best way to anticipate the needs and desires of your market is to listen to the men and women who install your product. Inspired by our most popular model, the SC300, we have designed an install-friendly hood that makes all the "what if's" of installation a non-issue. Keeping the pyramid shape, we expanded the chimney flue (duct cover) just wide enough to conceal off-centre ducting. Bringing our lights to the front of the hood provides greater ambience in the most used cooking area and also avoids drawing attention towards any imperfections from the backsplash. We also slanted our baffle filters to maximize air and grease collection. The SCB316 has every kind of installer in mind.

## Green Features



3 Speed Push Button Control Panel



Long-Lasting LED Lights



Grease Cup



Model	Colour	Ducting	Filters	Size	CFM
SCB31630SS	Stainless Steel	6"	Baffle	30"	300
SCB31636SS	Stainless Steel	6"	Baffle	36"	300
SCB31630MB	Matte Black	6"	Baffle	30"	300
SCB31636MB	Matte Black	6"	Baffle	36"	300

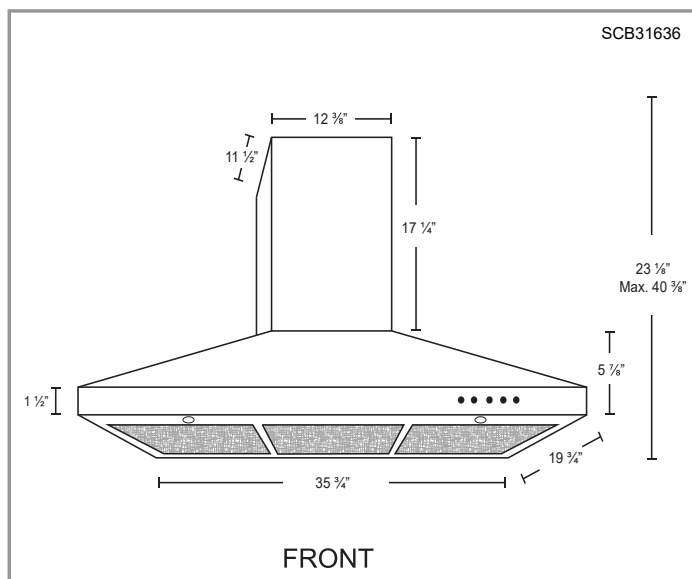
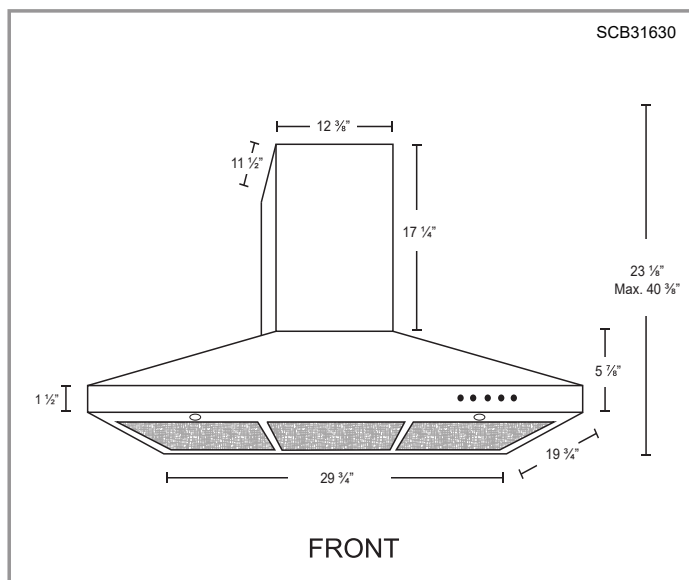
Cyclone Range Hoods Inc.

1361 Huntingwood Drive, Unit 16. Toronto, ON. M1S 3J1. Canada.

Toll Free: 1-888-293-5662 Tel: (416) 293-0933 Fax: (416) 293-4793 Website: [www.CycloneRangeHoods.com](http://www.CycloneRangeHoods.com)

## Features

- Wall mount range hood
- 6" round duct adapter
- Non-stick aluminum fan blades
- 3 speed push button control
- 2 LED lights (2 x 1.4W, 4000K)
- Quick release stainless steel baffle filters
- Standard chimney fits up to 9 ft. ceiling
- Plug-in connection



## Options

- Finishes: Stainless Steel, Matte Black
- Chimney Flues:
  - B3.CH16 - short (7'-8' ceilings)
  - B3.CH22 - standard (8'-9' ceilings)
  - B3.CH32 - extended (9'-11' ceilings)
- Widths: 30", 36"

## Specifications

- |                                                                                                                                                                    |                                                                                                                                              |                                                                                                                                                                               |
|--------------------------------------------------------------------------------------------------------------------------------------------------------------------|----------------------------------------------------------------------------------------------------------------------------------------------|-------------------------------------------------------------------------------------------------------------------------------------------------------------------------------|
| <ul style="list-style-type: none"> <li>▪ Air Flow Volume: 300 CFM</li> <li>▪ Electrical Connection: 120 V/60 Hz</li> <li>▪ Power Consumption: 300 Watts</li> </ul> | <ul style="list-style-type: none"> <li>▪ Current: 2.5 Amps</li> <li>▪ Fan Speed: 1350 RPM</li> <li>▪ Fan Type: Centrifugal Blower</li> </ul> | <ul style="list-style-type: none"> <li>▪ Finishes: Stainless Steel, Matte Black</li> <li>▪ Ducting: 6" Round</li> <li>▪ Noise Level: Min. 2 Sones<br/>Max. 4 Sones</li> </ul> |
|--------------------------------------------------------------------------------------------------------------------------------------------------------------------|----------------------------------------------------------------------------------------------------------------------------------------------|-------------------------------------------------------------------------------------------------------------------------------------------------------------------------------|

