

24" 10KG Front Load Condensation Tumble Dryer

FEATURES & BENEFITS

Optimize Your Space

Measuring just 24", the AEG 10KG Condensation Dryer can easily fit into tight spots and can even be stacked with the matching washing machine to optimize your space further.

Digital Display with Electronic Controls

A quick glance at the sleek, modern electronic controls provides the cycle status, letting you know how long until you can slip on your favourite pair of jeans.

Smart Care for Your Clothes

Match one of the 15 total dry cycles to your load type to control the amount of heat used to dry your clothes.

Flexible Installation

For ultimate convenience and flexibility, the stackable, vent less design of this dryer allows it to be placed just about anywhere.

Energy Star Certified

This Energy Star certified dryer comes equipped with sensor dry technology to automatically stop the dryer when it detects that the load is dry.



AVAILABLE COLORS

White

GENERAL PROPERTIES

Style	Front Load
Drying Type	Condensation
Fuel Type	Electric
Capacity	10 KG / 22 lbs
Number of Programs	15
Number of Dryness Level Selections	3 + 3 Levels
Door Material	Glass
Drum Material	Aluminized Steel
Location of Control	Front
Adjustable Legs	4
Stackable	Yes
Matching Washer	W14120

FEATURES

Display Type	LED / White
Control Type	Digital / Dial Knob
Cycle Status Lights	Yes
Remaining Time Display	Yes
End Of Cycle Signal	Yes
Drying Control	Auto + Manual
Sensor Dry	Yes
Memory of Power Interrupt	Yes
Look Through Door	Yes
Drum Light	Yes
Out-Of-Balance Vibration Reduction	Yes (auto)

ACCESSORIES

Supplied with Draining Hose	For Condensed Water
Optional Stacking Kit Available	ST 1.
Optional Pull-Out Shelf Available	ST 2.

PROGRAMS & PERFORMANCE

Program Selection	Normal + Regular Dry, Outdoor, Towels, Mix, Warm Refresh, Air Fluff, Time Drying, Sanitize, Babe Care, Delicates, Perm Press + Regular Dry, Bedding, Sports Wear, Express 29', Express 12'
Button Function	Wrinkle Prevent, Delay, Time Adjust, Dryness, Signal, Damp Alert, (hold "Signal" and "Damp" Alert 3 secs to activate the Child Lock)
Energy Consumption Display	Yes
Delay	Yes
Error Alarm	Yes
Auto-power Off	Yes
Dryness level selection	3 + 3 Levels

TECHNICAL DETAILS

Electrical Requirements	120 / 208-240 V / 60 Hz
Rated Power (W)	2700 W
Rated Current (A)	11 A
Noise Level (dB)	69 dB
Safety Certification	UL
Efficiency Certification	Energy Star®
Power Cord	Included

DIMENSIONS & WEIGHT

Product Dimensions (in / mm) (W / H / D)	23 ^{3/8"} / 33 ^{1/2"} / 25 ^{11/16"} (594mm / 850mm / 652mm)
Lid Dimensions (Inch/mm)	18 ^{7/8"} (480mm)
Height To Control Panel Top (Inch/mm)	33 ^{1/2"} (850mm)
Width With Door Open (Inch/mm)	42 ^{3/16"} (1072mm)
Weight (lbs/kg)	84 lbs / 38.2 kg

WARRANTY

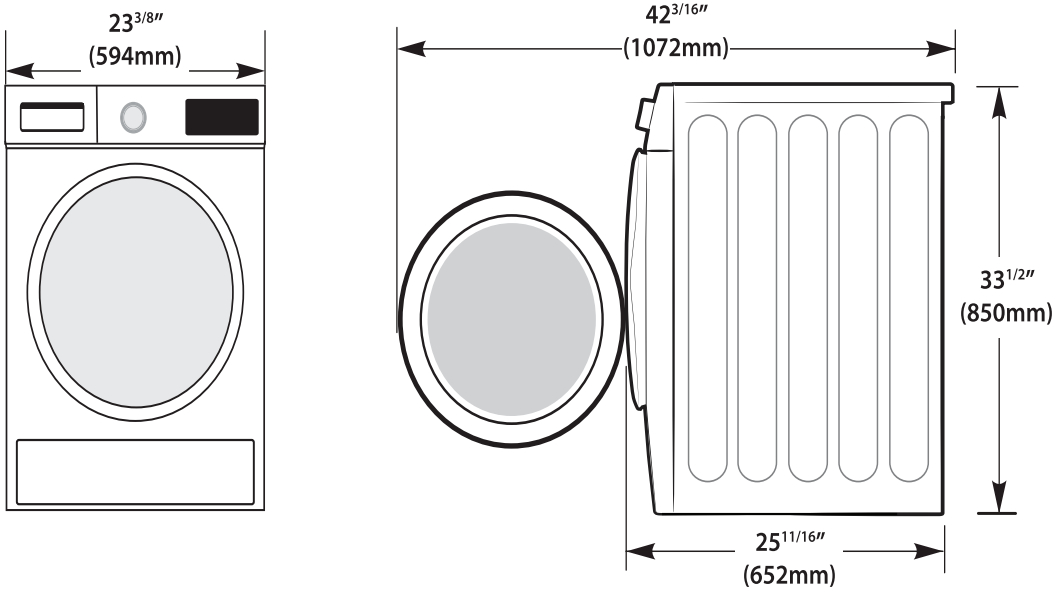
Parts & Labor	2 Years
---------------	---------

Installation Details

PRODUCT DIMENSIONS

In (W / H / D) 23^{3/8}" / 33^{1/2}" / 25^{11/16}"

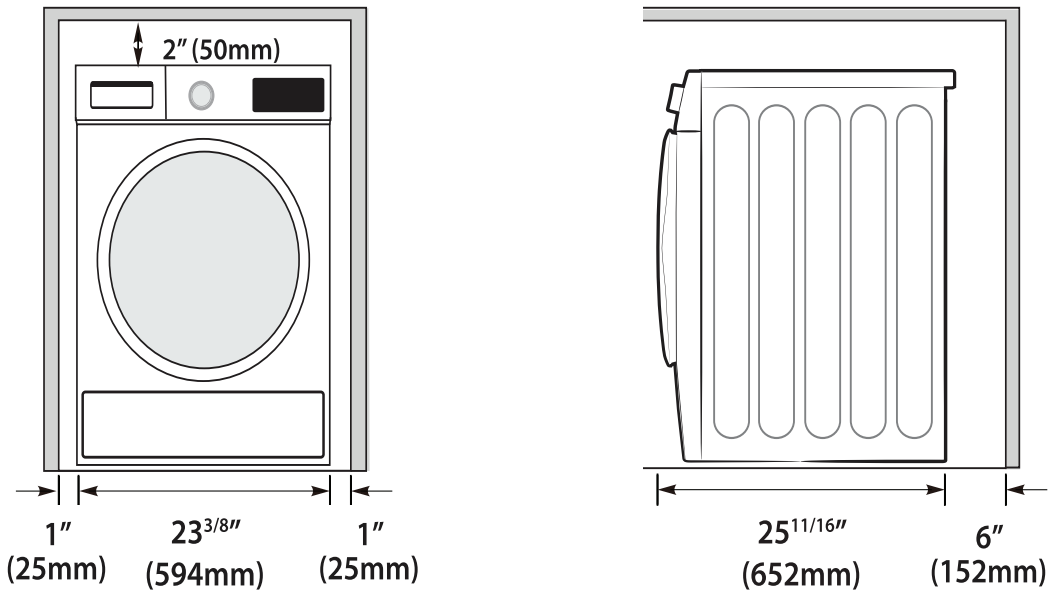
mm (W / H / D) 594mm / 850mm / 652mm



INSTALLING UNDER COUNTER

Minimum clearances between your washer and adjacent walls or other surfaces are:

Either side: 1" (25mm) / Rear: 6" (152mm) / Top: 2" (50mm)



AEG

WARRANTY INFORMATION

AEG Appliances are designed and manufactured to the highest standards. Each appliance is covered by a comprehensive 2-year parts and labour warranty. Refer to product warranty policy for complete terms and conditions.

FOR PARTS & SERVICE

Euro-Parts & Service

39822 Belgrave Road, Belgrave, ON. N0G 1E0 1 866 722 2262
www.euro-parts.ca • parts@euro-parts.ca • service@euro-parts.ca

AEG appliances are imported and distributed in North America by Euro-Line Appliances Inc. For more information, please visit one of our showrooms or www.ela.ca / www.elawest.ca

EURO-LINE APPLIANCES INC.

871 Cranberry Court Oakville, ON L6L
6J7 Canada
905.829.3980
1-800.421.6332
info@ela.ca

EURO-LINE APPLIANCES INC.

101-1014 Homer Street Vancouver, BC
V6B 2W9 Canada
604.235.3980
1-855.352.9378
infowest@ela.ca