

EM044K10



30" Over-The-Range Microwave



AVAILABLE FINISHES / COLOR OPTIONS

EM044K10
Stainless-Steel

KEY FEATURES

Over the Range Microwave

Space saving design, featuring 1000 Watt microwave power makes this unit perfect for any kitchen space.

Electronic Touch Controls

Navigate through the available cooking modes and options with controls that are easy to use and easy to clean.

10 Power Levels

Offering both a quick and thorough cooking process with 10 varying power levels.

Auto Cooking Menus

A built-in setting that will automatically calculate both cooking time and power levels for your favourite foods.

Surface Cooktop Light

Conveniently placed cooktop light provides visibility while you work your way around the kitchen.

Kitchen Timer

Make good use of your time as your food as it cooks, as a built-in timer will alert you when your meal is done

Vent Fan

A 300 CFM two speed venting system doubles as a hood by removing smoke, steam and odours from your kitchen.



Vented



LED Lighting

GENERAL PROPERTIES

Style	Over the Range
Colour	Stainless Steel
Cavity Colour	White
Handle Type	Metal Handle
Door Swing	Side-Swing Door
Max. Microwave Power (W)	1000 W
Interior Lighting	LED
Turntable	Yes

CAPACITY

Cavity capacity (cu. ft. / liters)	1.6 cu. ft. (45 L)
Turntable Diameter (in.)	13 5/8" (346mm)

FEATURES

Convection	No
Automatic Cooktop Functions	Yes
Power Levels	10
Kitchen Timer	Clock / Timer
Reminder End Signal	Acoustic Signal
Sensor Cooking	No

FUNCTIONS

Control Panel	Touch Control Panel with LED Display
Timer Function	Complete Cooking Reminder
Defrost Functions	Auto-Weight / Time Defrost
Menu Options	Cook Time; Timer; Clock; Popcorn; Potato; Beverage; Reheat; Defrost; Power Level; Stop/Start +30 sec; Exhaust; Light

VENT FAN DETAILS

Max. Extraction Rate (CFM)	300 CFM
Number Of Fan Speeds	2 (High / Low)
Venting Type	Ducted/ Convertible to Recirculating
Number of Vent Filters	2 (Charcoal / Grease Filters)
Number of Hood Lights	2 Halogen
Operating Noise	49 dBA

TECHNICAL DETAILS

Electrical Input Power (W)	1550 W
Amperage (Amp)	15 Amp
Volts (V) / Frequency (Hz)	120 V / 60 Hz
Power Cord	Supplied with a Canadian cord & plug.

DIMENSIONS

Product Dimensions W / H / D (In/mm)	29 ^{7/8"} / 15 ^{3/4"} / 15 ^{3/8"} (759mm / 400mm / 390mm)
Cut Out Dimensions W / H / D (In/mm)	30" / 16 ^{1/2"} / 12 ^{7/8"} (762mm / 419mm / 327mm)

EM044K10



Installation Details

PRODUCT DIMENSIONS W / H / D (INCH/MM)

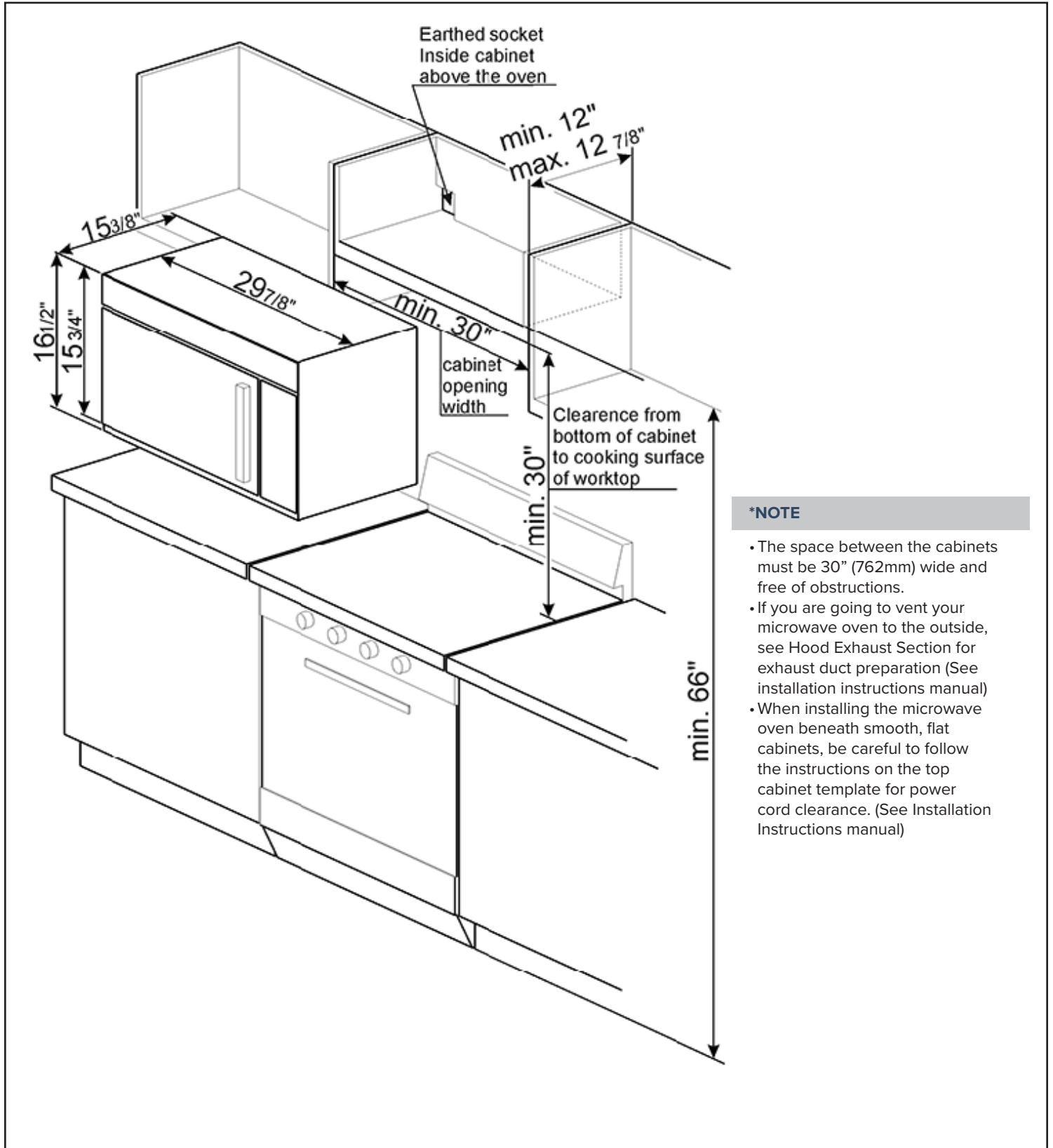
29⁷/₈" / 15³/₄" / 15³/₈"

759mm / 400mm / 390mm

CUT-OUT DIMENSIONS W / H / D (INCH/MM)

30" / 16¹/₂" / 12⁷/₈"

762mm / 419mm / 327mm



*NOTE

- The space between the cabinets must be 30" (762mm) wide and free of obstructions.
- If you are going to vent your microwave oven to the outside, see Hood Exhaust Section for exhaust duct preparation (See installation instructions manual)
- When installing the microwave oven beneath smooth, flat cabinets, be careful to follow the instructions on the top cabinet template for power cord clearance. (See Installation Instructions manual)



WARRANTY INFORMATION

Porter & Charles Appliances are designed and manufactured to the highest standards. Each appliance is covered by a comprehensive 2-year parts and labour warranty. Refer to product warranty policy for complete terms and conditions.

FOR PARTS & SERVICE

Euro-Parts & Service

39822 Belgrave Road, Belgrave, ON. N0G 1E0 1 866 722 2262
www.euro-parts.ca • parts@euro-parts.ca • service@euro-parts.ca

Porter & Charles appliances are imported and distributed in North America by Euro-Line Appliances Inc. For more information, please visit one of our showrooms or www.ela.ca

EURO-LINE APPLIANCES INC.

871 Cranberry Court, Oakville, ON
L6L 6J7 Canada
905.829.3980
1-800.421.6332
info@ela.ca

EURO-LINE APPLIANCES INC.

101-1014 Homer Street, Vancouver, BC
V6B 2W9, Canada
604.235.3980
1-855.ELA.WEST (352.9378)
infowest@ela.ca